

Finder Relays, Inc.

Product Update

ULTRA SLIM TIME DELAY RELAY

FINDER's popular ultra slim 38 Series Interface Module (6.2mm wide) is now available as a multifunction **TIME DELAY RELAY** with electromechanical or solid-state relay outputs.



These units are fitted with the FINDER 34 Series electromechanical or solid-state relays, which make it a very compact timer with 4 functions and 4 time ranges.

The following functions are selectable:

- On Delay
- On Pulse
- Symmetrical recycling
- Fixed Pulse (0.5s) delayed

The following time ranges are selectable:

- 0.1s to 3s
- 3s to 60s
- 1min to 20min
- 0.3h to 6 h

Output ratings:

- Electromechanical Relay: 6A
- (1.5V to 24V) DC Solid State Relay: 2A
- (12V to 275V) AC Solid State Relay: 2A

4 models available:

- 38.21.0.012.0060** (Electromechanical output, 12VAC/DC supply voltage)
- 38.21.0.024.0060** (Electromechanical output, 24VAC/DC supply voltage)
- 38.21.0.024.9024** (24V DC Solid State output, 24VAC/DC supply voltage)
- 38.21.0.024.8240** (240V AC Solid State output, 24VAC/DC supply voltage)

The solid-state output versions are particularly suitable where rapid output switching and long operational life are required. The ultra slim sockets are only 6.2mm in width, making them ideal for use in systems where the available mounting space is minimal. Their multifunction and multirange capabilities, along with the ability to accept either plug-in electromechanical or plug-in solid-state relays, means that a single socket model is suitable for a wide range of applications, with the added benefit that the switching element is easily replaceable.

For More Information Please Contact Our Office
770-271-4431

www.findernet.com

Features

Slim timed interface module, 6.2 mm wide.
1 pole, 6 A - electromechanical relay
1 output, 2 A AC or DC - solid state relay

- Electromechanical or solid state output
- Multi-functions timer
- AC & DC supply
- 4 time scales from 0.1s to 6h
- Instant ejection of relay using plastic retaining clip
- 6.2 mm wide, 35 mm rail (EN 50022) mounting

38.21
Screw terminal



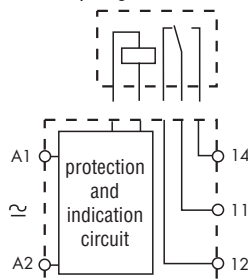
For outline drawing see page 12

38.21



- 1 pole electromechanical output relay
- 12 or 24 V AC/DC supply
- Screw terminal and screwless terminal
- 35 mm rail (EN 50022) mounting

AI: ON delay
DI: ON pulse
GI: Fixed pulse (0.5s) delayed
SW: Symmetrical recycling: ON start

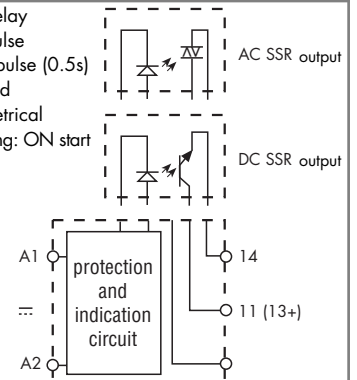


38.21...9024-8240



- AC or DC solid state output relays
- 24V DC supply voltage
- Screw terminal and screwless terminal
- 35 mm rail (EN 50022) mounting

AI: ON delay
DI: ON pulse
GI: Fixed pulse (0.5s) delayed
SW: Symmetrical recycling: ON start



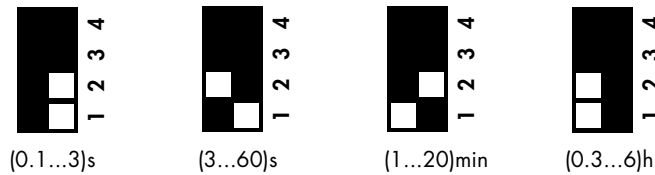
Contact specification			
Contact configuration		1 CO (SPDT)	—
Rated current/Maximum peak current	A	6/10	—
Rated voltage/Maximum switching voltage V AC		250/400	—
Rated load AC1	VA	1,500	—
Breaking capacity DC1: 30/110/220 V	A	6/0.2/0.12	—
Minimum switching load	mW (V/mA)	500 (12/10)	—
Standard contact material		AgNi	—
Output circuit		DC output	AC output
Contact configuration		1 NO (SPST-NO)	1 NO (SPST-NO)
Rated current/Maximum peak current	A	2/20	2/40
Rated voltage/Maximum blocking voltage	V	(24/33)DC	(240/275)AC
Switching voltage range	V	(1.5...24)DC	(12...275)AC
Minimum switching current	mA	1	22
Max. "OFF-state" leakage current	mA	0.001	1.5
Max. "ON-state" voltage drop	V	0.12	1.6
Supply specification			
Nominal voltage (U _N)	V DC/AC (50/60Hz)	12 - 24	24
	V DC	—	24
Rated power	VA/W	0.5	0.5
Operating range	AC	(0.8...1.1)U _N	(0.8...1.1)U _N
	DC	(0.8...1.1)U _N	(0.8...1.1)U _N
Technical data			
Specified time range		(0.1...3)s, (3...60)s, (1...20)min, (0.3...6)h	
Repeatability	%	± 1	
Recovery time	ms	≤ 50	
Setting accuracy-full range	%	5%	
Ambient temperature	°C	-40...+70	-40...+55
Protection category		IP 20	
Approvals relay (according to type)			

Timed interface module

Technical data

EMC specifications						
Type of test		Reference standard				
Electrostatic discharge	contact discharge	EN 61000-4-2	4 kV			
	air discharge	EN 61000-4-2	8 kV			
Radio-frequency electromagnetic field (80 ÷ 1000 MHz)		EN 61000-4-3	10 V/m			
Fast transients (burst) (5-50 ns, 5 kHz) on Supply terminals		EN 61000-4-4	4 kV			
Surges (1.2/50 µs) on Supply terminals	common mode	EN 61000-4-5	4 kV			
	differential mode	EN 61000-4-5	4 kV			
Radio-frequency common mode (0.15 ÷ 80 MHz) on Supply terminals		EN 61000-4-6	10 V			
Radiated and conducted emission		EN 55022	class B			
Other data		EMR	SSR			
Power lost to the environment	without contact current W	0.1	0.1			
	with rated current W	0.6	0.5			
		38.21	38.71			
Wire strip length	mm	10	10			
Screw torque	Nm	0.5	—			
Max. wire size		solid cable	stranded cable	solid cable	stranded cable	
		mm ²	1x2.5 / 2x1.5	1x2.5 / 2x1.5	1x2.5	1x2.5
		AWG	1x14 / 2x16	1x14 / 2x16	1x14	1x14

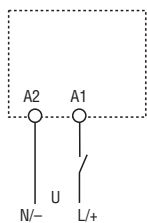
Times scales



Functions

LED	Supply voltage	NO contact/output
	OFF	Open
	ON	Open (time in progress)
	ON	Closed

Wiring diagram



U = Supply voltage

= Output contact

