

Redesigned with  
**METRIC  
KNOCKOUTS**  
to meet EN50262



# AK Series

The AK Series are medium to large enclosures designed to house and protect standard IEC components, such as DIN rail mount circuit breakers, switches, meters and other control devices. Larger than the EK Series, they offer increased capacity for mounting components and provide additional space for more convenient wiring.

The unique cover design features a shrouded cut out and transparent hinged doors for quick access and visibility. The shrouded cut out, spanning the width of the cover, exposes mounted components for easy adjustment while isolating wiring for increased safety. Doors have push release latches with reversible hinge feature to open from the left or right side. Keylocks can be added to the doors for increased security. Each enclosure is supplied

with removable terminal strip assemblies for ground / neutral distribution and DIN rails. These parts feature "tool-less" operation due to clip-on design.

Equipped with pre-installed entry plugs, these enclosures provide IP65 protection. Use of appropriate sealing connector assemblies for wire, cable or conduit entry can maintain IP65 protection. Using the entry spouts provided, enclosures have IP54 protection.

- Direct mount
- Corrosion and maintenance free
- Medium to large size
- Polystyrene base and cover
- Polycarbonate transparent doors
- Integral seals
- High mechanical strength
- Dust and moisture proof
- Halogen free
- Up to IP65 protection

# AK Series Enclosures

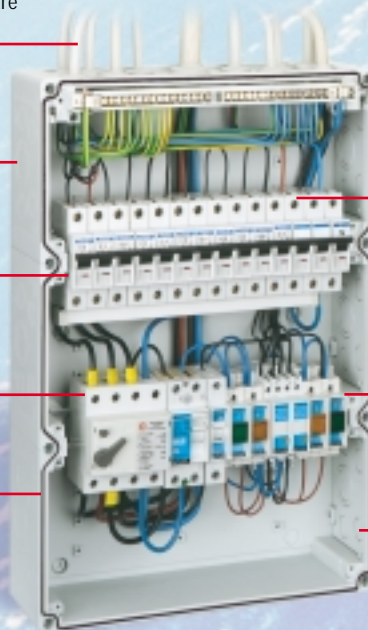


M20/Pg13.5 double membrane entry seals guarantee IP65 protection. These entries are also suited to accept threaded cord grips.

Removable sidewalls facilitate and allow enclosure combination with other AK or AKL models.

DIN Rail distance of 150 mm (5.91 in.) center to center gives room for comfortable and timely installations.

Smooth external sidewalls combine functionality with aesthetics.



Up to 14 components can be mounted to each DIN rail.

The enclosure material is impact and flame resistant Polystyrene.

Snap in 35 mm DIN rail.

The large number of pre-punched "holes" makes for easy cable installation.

# AK 14 – Polystyrene – 300x300mm (11.81x11.81in.)

## Standard Features

- **Protection Level:** IP65
- **Technical:** Knockout Sidewalls and Installed Double Membrane Seals  
Tinted Transparent Door  
Multiple Enclosure Combination Option
- **Enclosure Material:** Polystyrene
- **Door Material:** Polycarbonate
- **Gasket Material:** Polyurethane
- **Temperature Range:** -40°C to 70°C (-40°F to 158°F)
- **Color:** Light Gray
- **Included Accessories:** DIN Rail, 12 Pole Ground/Neutral Terminal Strip, Cable Shield, Filler Strips, Label Strip, (5) M20 Double Membrane Seals  
(2) M25 Double Membrane Seals  
(1) M32 Double Membrane Seals  
(1) M40 Entry Spout
- **Accessories:** See section below



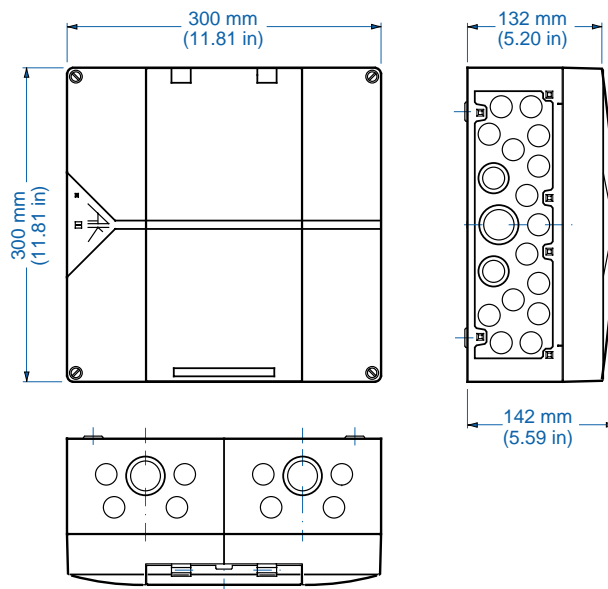
## AK

Ordering Information	Cat. No.	Type	Length	Dimensions mm (in) Width	Height	Std. Pk.
Enclosure	735-414	AK14	300 mm (11.81 in)	300 mm (11.81 in)	142 mm (5.59 in)	1

## Accessories

Ordering Information	Cat. No.	Type	Std. Pk.
Key Lock	706-102	KL2	1
Mounting Plate – 240 x 112 mm	795-001	MPI 1	1
Mounting Plate – 240 x 240 mm	795-002	MPI 2	1
DIN Rail - 216 mm Surface Mounted	562-035	SMTS35/216	1
Hinge Kit Set	190-005	HK2	1
Mounting Tab Kit (metal)	793-004	MT2	1

Please refer to pages 106-113 for additional accessories and detailed information.



Please refer to page 123 for Knockout details.

**Standard Features**

- **Protection Level:** IP65
- **Technical:** Knockout Sidewalls and Installed Double Membrane Seals  
Tinted Transparent Door  
Multiple Enclosure Combination Option
- **Enclosure Material:** Polystyrene
- **Door Material:** Polycarbonate
- **Gasket Material:** Polyurethane
- **Temperature Range:** -40°C to 70°C (-40°F to 158°F)
- **Color:** Light Gray
- **Included Accessories:** (2) DIN Rails, 17 Pole Ground/Neutral Terminal Strip, Cable Shield, Filler Strips, (2) Label Strips, Accessory Case  
(5) M20 Double Membrane Seals  
(2) M25 Double Membrane Seals  
(1) M32 Double Membrane Seals  
(1) M40 Entry Spout
- **Accessories:** See section below



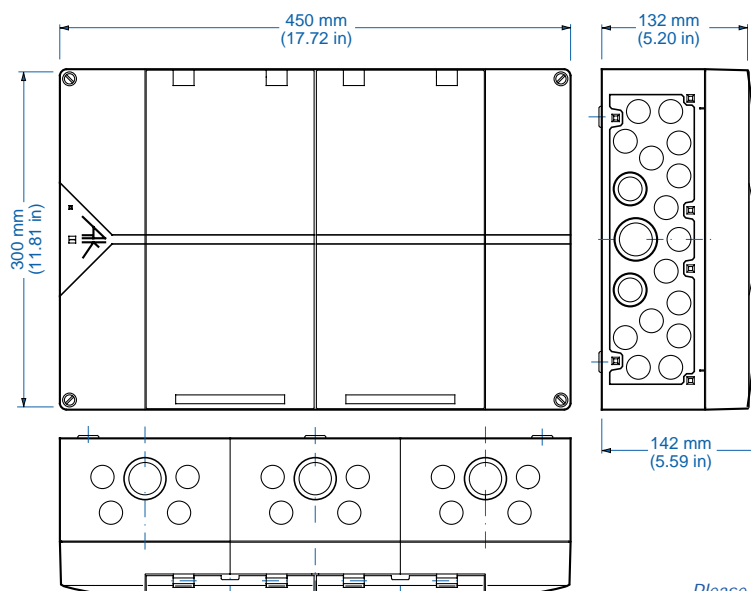
**AK**

Ordering Information	Cat. No.	Type	Length	Dimensions mm (in) Width	Height	Std. Pk.
Enclosure	735-428	AK28	450 mm (17.72 in.)	300 mm (11.81 in)	142 mm (5.59 in)	1

**Accessories**

Ordering Information	Cat. No.	Type	Std. Pk.
Key Lock	706-102	KL2	1
Mounting Plate – 240 x 112 mm	795-001	MPI 1	1
Mounting Plate – 240 x 240 mm	795-002	MPI 2	1
Mounting Plate – 240 x 390 mm	795-003	MPI 3	1
DIN Rail - 216 mm Surface Mounted	562-035	SMTS35/216	1
Hinge Kit Set	190-005	HK2	1
Mounting Tab Kit (metal)	793-004	MT2	1

Please refer to pages 106-113 for additional accessories and detailed information.



Please refer to page 123 for Knockout details.

# AK 42 – Polystyrene – 600x300mm (23.62x11.81in.)

## Standard Features

- **Protection Level:** IP65
- **Technical:** Knockout Sidewalls and Installed Double Membrane Seals  
Tinted Transparent Door  
Multiple Enclosure Combination Option
- **Enclosure Material:** Polystyrene
- **Door Material:** Polycarbonate
- **Gasket Material:** Polyurethane
- **Temperature Range:** -40°C to 70°C (-40°F to 158°F)
- **Color:** Light Gray
- **Included Accessories:** (3) DIN Rails, 25 Pole Ground/Neutral Terminal Strip, Cable Shield, Filler Strips, (3) Label Strips, Accessory Case  
(15) M20 Double Membrane Seals  
(2) M25 Double Membrane Seals  
(1) M32 Double Membrane Seals  
(1) M40 Entry Spout
- **Accessories:** See section below



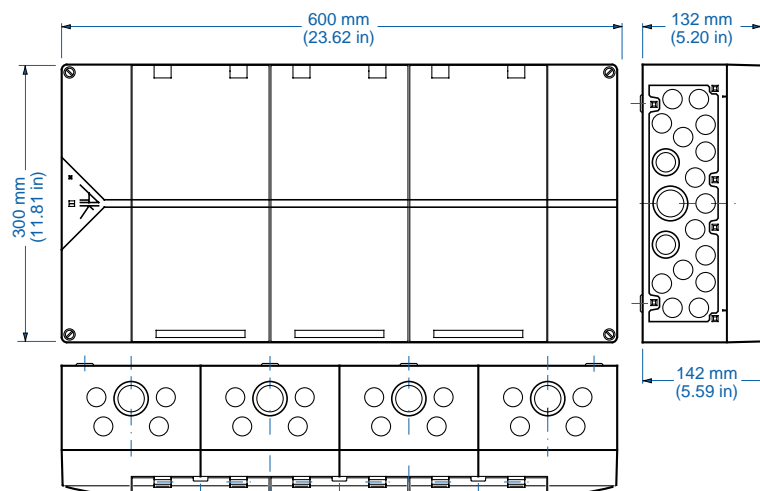
## AK

Ordering Information	Cat. No.	Type	Length	Dimensions mm (in) Width	Height	Std. Pk.
Enclosure	735-442	AK42	600 mm (23.62 in.)	300 mm (11.81 in)	142 mm (5.59 in)	1

## Accessories

Ordering Information	Cat. No.	Type.	Std. Pk.
Key Lock	706-102	KL2	1
Mounting Plate – 240 x 112 mm	795-001	MPI 1	1
Mounting Plate – 240 x 240 mm	795-002	MPI 2	1
Mounting Plate – 240 x 390 mm	795-003	MPI 3	1
Mounting Plate – 240 x 540 mm	795-004	MPI 4	1
DIN Rail - 216 mm Surface Mounted	562-035	SMTS35/216	1
Hinge Kit Set	190-005	HK2	1
Mounting Tab Kit (metal)	793-004	MT2	1

Please refer to pages 106-113 for additional accessories and detailed information.



Please refer to page 123 for Knockout details.



### Standard Features

- **Protection Level:** IP65
- **Technical:** Knockout Sidewalls and Installed Double Membrane Seals  
Tinted Transparent Door  
Multiple Enclosure Combination Option
- **Enclosure Material:** Polystyrene
- **Door Material:** Polycarbonate
- **Gasket Material:** Polyurethane
- **Temperature Range:** -40°C to 70°C (-40°F to 158°F)
- **Color:** Light Gray
- **Included Accessories:** (4) DIN Rails, 25 Pole Ground/Neutral Terminal Strip, Cable Shield, Filler Strips, (4) Label Strips, Accessory Case  
(15) M20 Double Membrane Seals  
(2) M25 Double Membrane Seals  
(1) M32 Double Membrane Seals  
(1) M40 Entry Spout
- **Accessories:** See section below



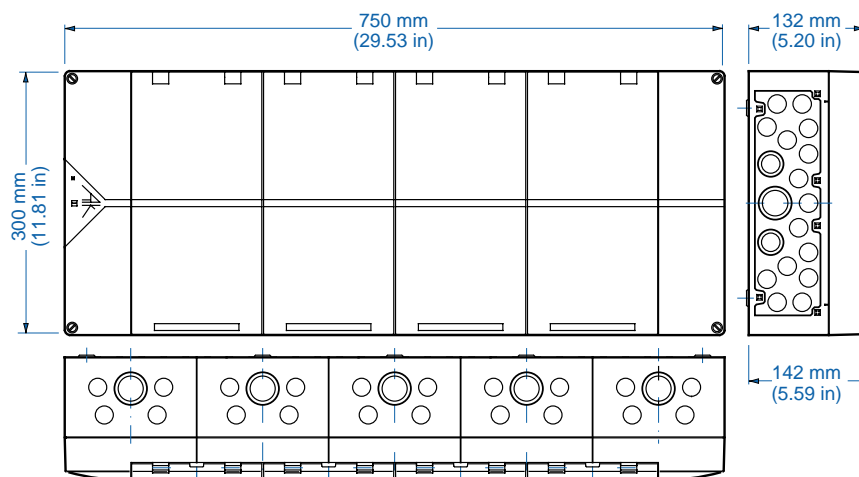
### AK

Ordering Information	Cat. No.	Type	Length	Dimensions mm (in) Width	Height	Std. Pk.
Enclosure	735-456	AK56	750 mm (29.53 in.)	300 mm (11.81 in)	142 mm (5.59 in)	1

### Accessories

Ordering Information	Cat. No.	Type	Std. Pk.
Key Lock	706-102	KL2	1
Mounting Plate – 240 x 112 mm	795-001	MPI 1	1
Mounting Plate – 240 x 240 mm	795-002	MPI 2	1
Mounting Plate – 240 x 390 mm	795-003	MPI 3	1
Mounting Plate – 240 x 540 mm	795-004	MPI 4	1
DIN Rail - 216 mm Surface Mounted	562-035	SMTS35/216	1
Hinge Kit Set	190-005	HK2	1
Mounting Tab Kit (metal)	793-004	MT2	1

Please refer to pages 106-113 for additional accessories and detailed information.



Please refer to page 123 for Knockout details.

# AK 70 – Polystyrene – 900x300mm (35.43x11.81in.)

## Standard Features

- **Protection Level:** IP65
- **Technical:** Knockout Sidewalls and Installed Double Membrane Seals  
Tinted Transparent Door  
Multiple Enclosure Combination Option
- **Enclosure Material:** Polystyrene
- **Door Material:** Polycarbonate
- **Gasket Material:** Polyurethane
- **Temperature Range:** -40°C to 70°C (-40°F to 158°F)
- **Color:** Light Gray
- **Included Accessories:** (5) DIN Rails, 25 Pole Ground/Neutral Terminal Strip, Cable Shield, Filler Strips, (5) Label Strips, Accessory Case  
(15) M20 Double Membrane Seals  
(2) M25 Double Membrane Seals  
(1) M32 Double Membrane Seals  
(1) M40 Entry Spout
- **Accessories:** See section below



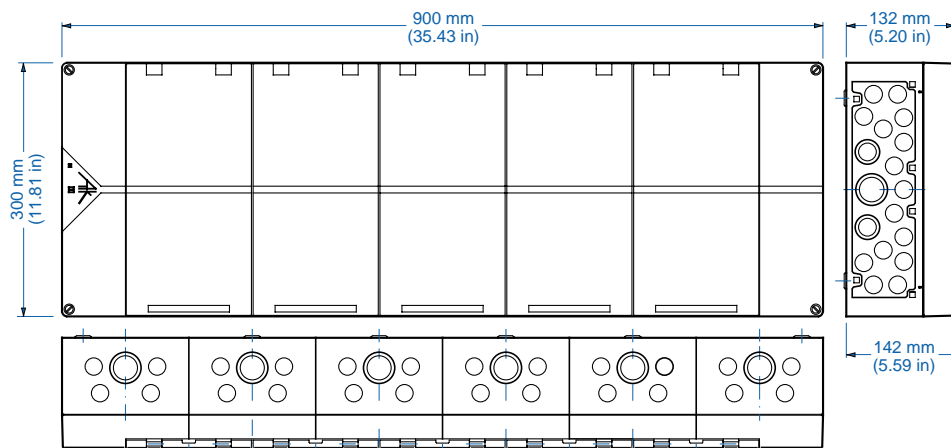
## AK

Ordering Information	Cat. No.	Type	Length	Dimensions mm (in) Width	Height	Std. Pk.
Enclosure	735-470	AK70	900 mm (35.43 in.)	300 mm (11.81 in)	142 mm (5.59 in)	1

## Accessories

Ordering Information	Cat. No.	Type	Std. Pk.
Key Lock	706-102	KL2	1
Mounting Plate – 240 x 112 mm	795-001	MPI 1	1
Mounting Plate – 240 x 240 mm	795-002	MPI 2	1
Mounting Plate – 240 x 390 mm	795-003	MPI 3	1
Mounting Plate – 240 x 540 mm	795-004	MPI 4	1
DIN Rail - 216 mm Surface Mounted	562-035	SMTS35/216	1
Hinge Kit Set	190-005	HK2	1
Mounting Tab Kit (metal)	793-004	MT2	1

Please refer to pages 106-113 for additional accessories and detailed information.



Please refer to page 123 for Knockout details.

### Standard Features

- **Protection Level:** IP65
- **Technical:** Knockout Sidewalls and Installed Double Membrane Seals  
Tinted Transparent Door  
Multiple Enclosure Combination Option
- **Enclosure Material:** Polystyrene
- **Door Material:** Polycarbonate
- **Gasket Material:** Polyurethane
- **Temperature Range:** -40°C to 70°C (-40°F to 158°F)
- **Color:** Light Gray
- **Included Accessories:** (2) DIN Rails, Cable Shield, Filler Strips,  
(1) Label Strip  
(15) M20 Double Membrane Seals  
(2) M25 Double Membrane Seals  
(1) M32 Double Membrane Seals  
(1) M40 Entry Spout
- **Accessories:** See section below



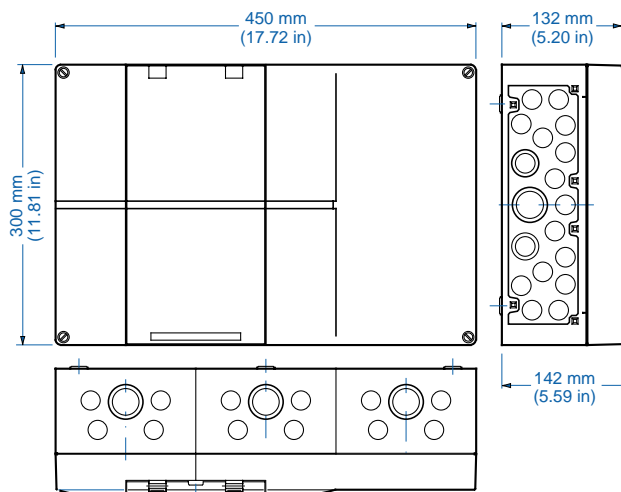
### AK

Ordering Information	Cat. No.	Type	Length	Dimensions mm (in) Width	Height	Std. Pk.
Enclosure	737-414	AK14+1	450 mm (17.72 in.)	300 mm (11.81 in)	142 mm (5.59 in)	1

### Accessories

Ordering Information	Cat. No.	Type	Std. Pk.
Key Lock	706-102	KL2	1
Mounting Plate – 240 x 112 mm	795-001	MPI 1	1
Mounting Plate – 240 x 240 mm	795-002	MPI 2	1
Mounting Plate – 240 x 390 mm	795-003	MPI 3	1
DIN Rail - 216 mm Surface Mounted	562-035	SMTS35/216	1
Hinge Kit Set	190-005	HK2	1
Mounting Tab Kit (metal)	793-004	MT2	1

Please refer to pages 106-113 for additional accessories and detailed information.



Please refer to page 123 for Knockout details.



# AK 28+1 – Polystyrene – 600x300mm (23.62x11.81in.)

## Standard Features

- **Protection Level:** IP65
- **Technical:** Knockout Sidewalls and Installed Double Membrane Seals  
Tinted Transparent Door  
Multiple Enclosure Combination Option
- **Enclosure Material:** Polystyrene
- **Door Material:** Polycarbonate
- **Gasket Material:** Polyurethane
- **Temperature Range:** -40°C to 70°C (-40°F to 158°F)
- **Color:** Light Gray
- **Included Accessories:** (3) DIN Rails, Cable Shield, Filler Strips,  
(2) Label Strips  
(15) M20 Double Membrane Seals  
(2) M25 Double Membrane Seals  
(1) M32 Double Membrane Seals  
(1) M40 Entry Spout
- **Accessories:** See section below



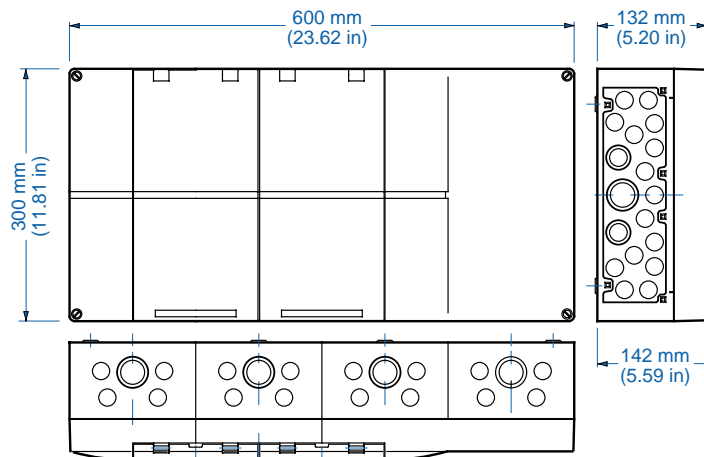
## AK

Ordering Information	Cat. No.	Type	Length	Dimensions mm (in) Width	Height	Std. Pk.
Enclosure	737-428	AK28+1	600 mm (23.62 in.)	300 mm (11.81 in)	142 mm (5.59 in)	1

## Accessories

Ordering Information	Cat. No.	Type	Std. Pk.
Key Lock	706-102	KL2	1
Mounting Plate – 240 x 112 mm	795-001	MPI 1	1
Mounting Plate – 240 x 240 mm	795-002	MPI 2	1
Mounting Plate – 240 x 390 mm	795-003	MPI 3	1
Mounting Plate – 240 x 540 mm	795-004	MPI 4	1
DIN Rail - 216 mm Surface Mounted	562-035	SMTS35/216	1
Hinge Kit Set	190-005	HK2	1
Mounting Tab Kit (metal)	793-004	MT2	1

Please refer to pages 106-113 for additional accessories and detailed information.



Please refer to page 123 for Knockout details.

**Standard Features**

- **Protection Level:** IP65
- **Technical:** Knockout Sidewalls and Installed Double Membrane Seals  
Tinted Transparent Door  
Multiple Enclosure Combination Option
- **Enclosure Material:** Polystyrene
- **Door Material:** Polycarbonate
- **Gasket Material:** Polyurethane
- **Temperature Range:** -40°C to 70°C (-40°F to 158°F)
- **Color:** Light Gray
- **Included Accessories:** (4) DIN Rails, Cable Shield, Filler Strips,  
(3) Label Strips  
(15) M20 Double Membrane Seals  
(2) M25 Double Membrane Seals  
(1) M32 Double Membrane Seals  
(1) M40 Entry Spout
- **Accessories:** See section below



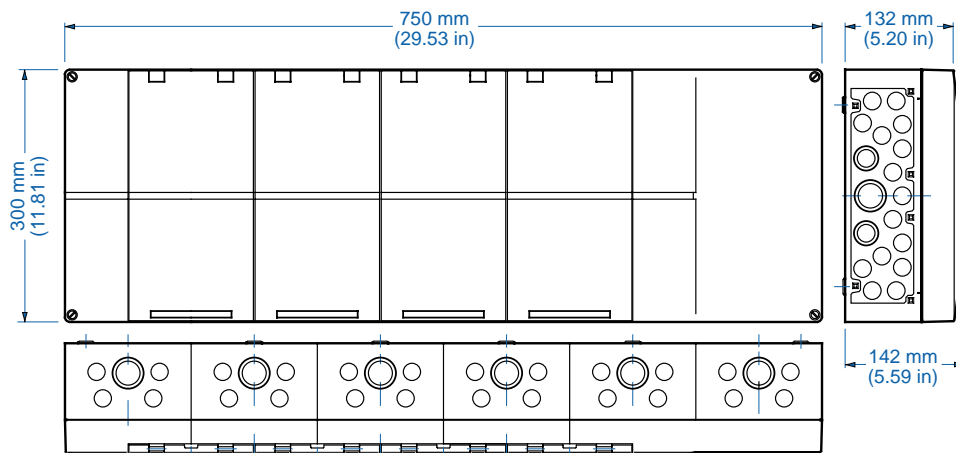
**AK**

Ordering Information	Cat. No.	Type	Length	Dimensions mm (in) Width	Height	Std. Pk.
Enclosure	737-442	AK42+1	750 mm (29.53 in.)	300 mm (11.81 in)	142 mm (5.59 in)	1

**Accessories**

Ordering Information	Cat. No.	Type	Std. Pk.
Key Lock	706-102	KL2	1
Mounting Plate – 240 x 112 mm	795-001	MPI 1	1
Mounting Plate – 240 x 240 mm	795-002	MPI 2	1
Mounting Plate – 240 x 390 mm	795-003	MPI 3	1
Mounting Plate – 240 x 540 mm	795-004	MPI 4	1
DIN Rail - 216 mm Surface Mounted	562-035	SMTS35/216	1
Hinge Kit Set	190-005	HK2	1
Mounting Tab Kit (metal)	793-004	MT2	1

Please refer to pages 106-113 for additional accessories and detailed information.



Please refer to page 123 for Knockout details.

# AK 56+1 – Polystyrene – 900x300mm (35.43x11.81in.)

## Standard Features

- **Protection Level:** IP65
- **Technical:** Knockout Sidewalls and Installed Double Membrane Seals  
Tinted Transparent Door  
Multiple Enclosure Combination Option
- **Enclosure Material:** Polystyrene
- **Door Material:** Polycarbonate
- **Gasket Material:** Polyurethane
- **Temperature Range:** -40°C to 70°C (-40°F to 158°F)
- **Color:** Light Gray
- **Included Accessories:** (5) DIN Rails, Cable Shield, Filler Strips,  
(4) Label Strips  
(15) M20 Double Membrane Seals  
(2) M25 Double Membrane Seals  
(1) M32 Double Membrane Seals  
(1) M40 Entry Spout
- **Accessories:** See section below



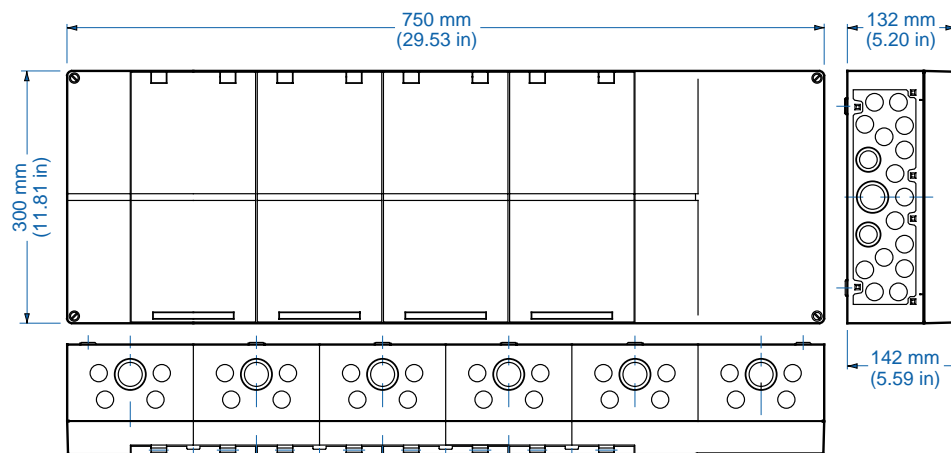
## AK

Ordering Information	Cat. No.	Type	Length	Dimensions mm (in) Width	Height	Std. Pk.
Enclosure	737-456	AK56+1	900 mm (35.43 in.)	300 mm (11.81 in)	142 mm (5.59 in)	1

## Accessories

Ordering Information	Cat. No.	Type	Std. Pk.
Key Lock	706-102	KL2	1
Mounting Plate – 240 x 112 mm	795-001	MPI 1	1
Mounting Plate – 240 x 240 mm	795-002	MPI 2	1
Mounting Plate – 240 x 390 mm	795-003	MPI 3	1
Mounting Plate – 240 x 540 mm	795-004	MPI 4	1
DIN Rail - 216 mm Surface Mounted	562-035	SMTS35/216	1
Hinge Kit Set	190-005	HK2	1
Mounting Tab Kit (metal)	793-004	MT2	1

Please refer to pages 106-113 for additional accessories and detailed information.



Please refer to page 123 for Knockout details.

**Standard Features**

- **Protection Level:** IP65
- **Technical:** Knockout Sidewalls and Installed Double Membrane Seals  
Tinted Transparent Door
- **Enclosure Material:** Polystyrene
- **Door Material:** Polycarbonate
- **Gasket Material:** Polyurethane
- **Temperature Range:** -40°C to 70°C (-40°F to 158°F)
- **Color:** Light Gray



**AK03**

Ordering Information	Cat. No.	Type	Length	Dimensions mm (in)		Height	Std. Pk.
				Width	Height		
Enclosure	735-403	AK03	100 mm (3.94 in)	150 mm (5.91 in)	96 mm (3.78 in)	1	

**Included Accessories**

35mm DIN Rail, 4 pole ground/neutral terminal strip, filler strips, label strip, (3) M20 Double Membrane Seals Installed.

AK03/KNOCKOUTS			
TOP	3xM20	BOTTOM	2xM20/25
SIDES	2xM20	BACK	1xM20

**AK05**

Ordering Information	Cat. No.	Type	Length	Dimensions mm (in)		Height	Std. Pk.
				Width	Height		
Enclosure	735-405	AK05	125 mm (4.92 in)	200 mm (7.87 in)	122 mm (4.80 in)	1	

**Included Accessories**

35mm DIN Rail, 5 pole ground/neutral terminal strip, filler strips, label strip, (4) M20 Double Membrane Seals Installed.



AK05/KNOCKOUTS			
TOP & BOTTOM	4xM20	SIDES	2xM20
	1xM20/25	BACK	1xM20

**AK09**

Ordering Information	Cat. No.	Type	Length	Dimensions mm (in)		Height	Std. Pk.
				Width	Height		
Enclosure	735-409	AK09	200 mm (7.87 in)	200 mm (7.87 in)	122 mm (4.80 in)	1	

**Included Accessories**

35mm DIN Rail, 7 pole ground/neutral terminal strip, filler strips, label strip, (6) M20 Double Membrane Seals Installed.



AK09/KNOCKOUTS			
TOP & BOTTOM	8xM20	SIDES	2xM20
	1xM25/32	BACK	2xM20/25

**AK012**

Ordering Information	Cat. No.	Type	Length	Dimensions mm (in)		Height	Std. Pk.
				Width	Height		
Enclosure	735-412	AK12	250 mm (9.84 in)	200 mm (7.87 in)	122 mm (4.80 in)	1	

**Included Accessories**

35mm DIN Rail, 12 pole ground/neutral terminal strip, filler strips, label strip, (8) M20 Double Membrane Seals Installed.



AK12/KNOCKOUTS			
SIDES	2xM20	TOP & BOTTOM	8xM20, 2xM20/25
BACK	2xM20/25		1xM32/M40