



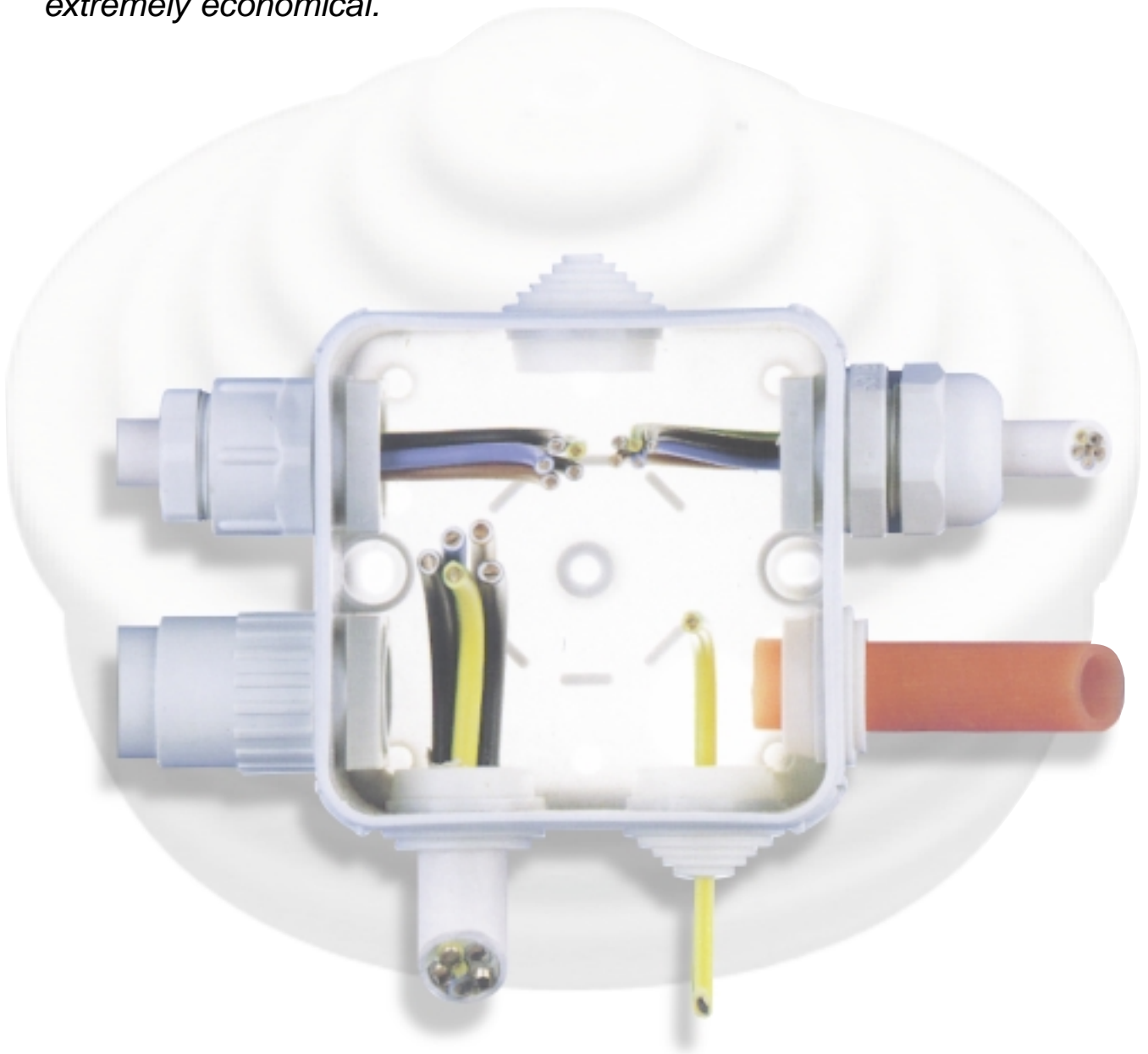
HP Series

The HP Series are economy junction boxes for lighter duty applications. The HP70, 80 and 90 feature snap on covers, while the HP100 features 4 quick release screws. HP Enclosures are supplied with universal entry seals that can be easily cut to create the required wire, cable or conduit adapter opening. These universal entry seals provide protection up to IP54.

- Direct mount
- Semi rigid polypropylene
- Dust and splash proof
- Contact labyrinth seal
- Temperature range up to 100°C (212°F)
- IP54 protection
- Universal entry seals
- Standard rear knockouts
- Corrosion and maintenance free
- Non-flammable
- Low halogen
- Drainage possibilities for condensed water by drainage inlets
- Pg inlets on all sides

HP Series Enclosures

The preinstalled entry seals in the HP Series can accommodate a wide variety of connection possibilities. Large or small cable, cable glands, entry spouts and even single wires can be used, while still remaining watertight and dust free. With such versatility, these enclosures are extremely economical.



HP 70 – Polypropylene – 75x75mm (2.95x2.95in.)

Standard Features

- **Protection Level:** IP54
- **Technical:**
 - Pg - Inlets
 - 6 x Pg16 - Sides
 - 1 x Pg11 - Rear
 - 3 Installed Pg16 Entry Seals (3.5 - 20.5mm)
 - 2 Spare Entry Seals
 - Snap-on Cover
- **Enclosure Material:** Semi - Rigid Polypropylene
- **Temperature Range:** -30°C to 100°C (-22°F to 212°F)
- **Gasket Material:** None / Contact Labyrinth Seal
- **Color:** Light Gray
- **Accessories:** See section below



HP

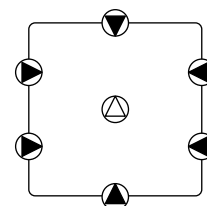
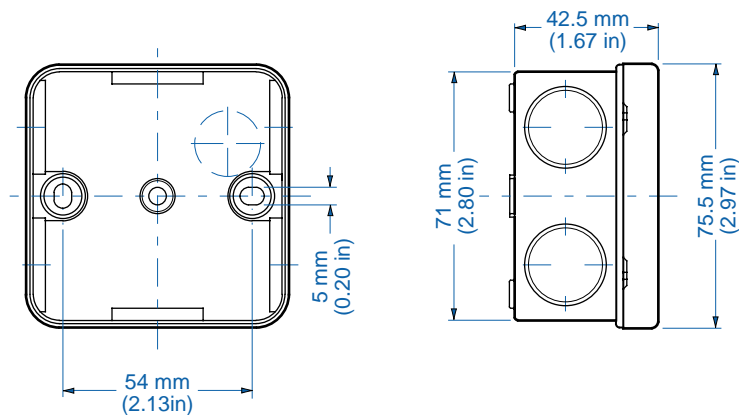
Ordering Information	Cat. No.	Type	Length	Dimensions mm (in)		Std. Pk.
				Width	Height	
Enclosure	320-970	HP70	75 mm (2.95 in)	75 mm (2.95 in)	42 mm (1.65 in)	10

Accessories

Ordering Information	Cat. No.	Type	Std. Pk.
Terminal	460-525	2.5mm ² - 5 pole	10
Universal Entry Seal - Pg16	216-404	Pg16	100

For Liquid Tight Strain Reliefs please refer to catalog pages 112-113.

Knockout Detail



Standard Features

- **Protection Level:** IP54
- **Technical:**
 - Pg - Inlets
 - 7 x Pg16 - Sides
 - 1 x Pg11 - Rear
 - 7 Installed Pg16 Entry Seals (3.5 - 20.5mm)
 - Snap-on Cover
- **Enclosure Material:** Semi - Rigid Polypropylene
- **Temperature Range:** -30°C to 100°C (-22°F to 272°F)
- **Gasket Material:** None / Contact Labyrinth Seal
- **Color:** Light Gray
- **Accessories:** See section below



HP

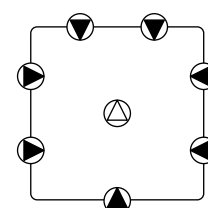
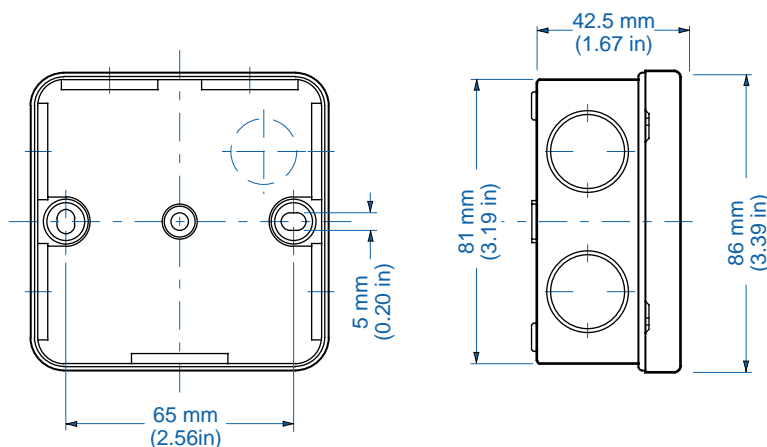
Ordering Information	Cat. No.	Type	Length	Dimensions mm (in) Width	Height	Std. Pk.
Enclosure	322-980	HP80	85 mm (3.35 in)	85 mm (3.35 in)	42 mm (1.65 in)	10

Accessories

Ordering Information	Cat. No.	Type	Std. Pk.
Terminal	460-525	2.5mm ² - 5 pole	10
Universal Entry Seal - Pg16	216-404	Pg16	100

For Liquid Tight Strain Reliefs please refer to catalog pages 112-113.

Knockout Detail



HP 90 – Polypropylene – 90x90mm (3.54x3.54in.)

Standard Features

- **Protection Level:** IP54
- **Technical:**
 - Pg - Inlets
 - 7 x Pg16 - Sides
 - 1 x Pg11 - Rear
 - 7 Installed Pg16 Entry Seals (3.5 - 20.5mm)
 - Snap-on Cover
- **Enclosure Material:** Semi - Rigid Polypropylene
- **Temperature Range:** -30°C to 100°C (-22°F to 272°F)
- **Gasket Material:** None / Contact Labyrinth Seal
- **Color:** Light Gray
- **Accessories:** See section below



HP

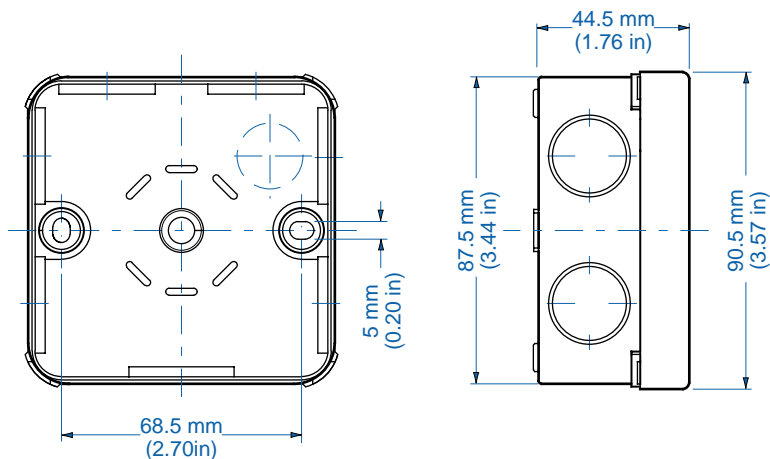
Ordering Information	Cat. No.	Type	Length	Dimensions mm (in) Width	Height	Std. Pk.
Enclosure	325-990	HP90	90 mm (3.54 in)	90 mm (3.54 in)	45 mm (1.77 in)	10

Accessories

Ordering Information	Cat. No.	Type	Std Pk.
Terminal	840-004	4mm ² - 5 pole	10
Universal Entry Seal - Pg16	216-404	Pg16	100

For Liquid Tight Strain Reliefs please refer to catalog pages 112-113.

Knockout Detail



M16



M20



M20/25



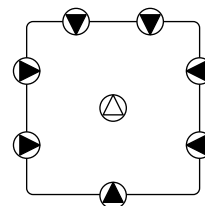
M25/32



M32/40



M40/50



Standard Features

- **Protection Level:** IP54
- **Technical:**
 - Pg - Inlets
 - 7 x Pg21 - Sides
 - 4 x Pg16 - Rear
 - 7 Installed Pg21 Entry Seals (3.5 - 25.2 mm)
 - Quick Close Cover
- **Enclosure Material:** Semi - Rigid Polypropylene
- **Temperature Range:** -30°C to 100°C (-22°F to 272°F)
- **Gasket Material:** None / Contact Labyrinth Seal
- **Color:** Light Gray
- **Accessories:** See section below



HP

Ordering Information	Cat. No.	Type	Length	Dimensions mm (in)		Std. Pk.
				Width	Height	
Enclosure	326-900	HP100	113 mm (4.45 in)	113 mm (4.45 in)	58 mm (2.28 in)	2

Accessories

Ordering Information	Cat. No.	Type	Std. Pk.
Terminal	840-004	4mm ² - 5 pole	10
Universal Entry Seal - Pg21	216-405	Pg21	50

For Liquid Tight Strain Reliefs please refer to catalog pages 112-113.

Knockout Detail

