

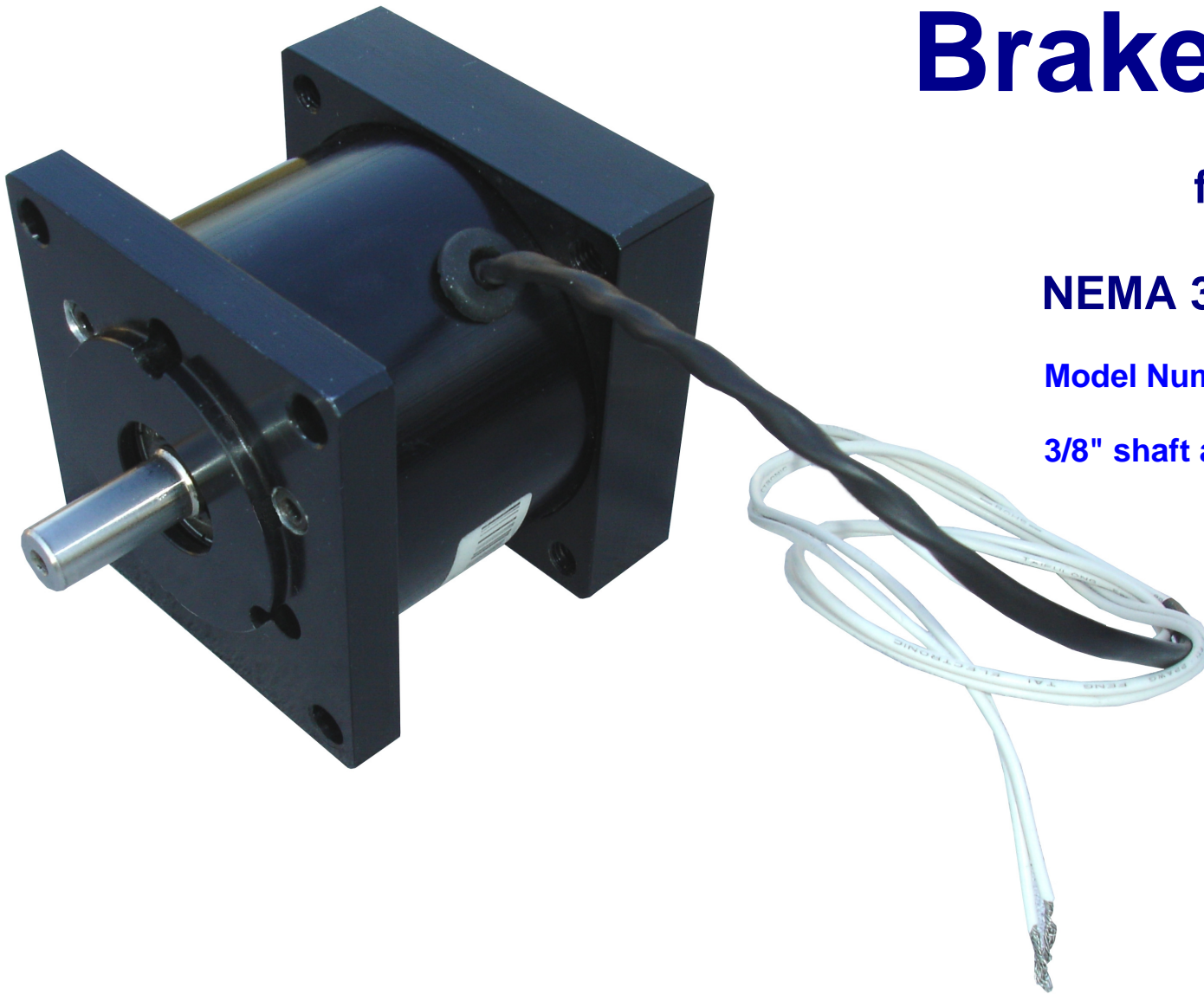
# Servo/Stepper Brake

for

**NEMA 34 Motors**

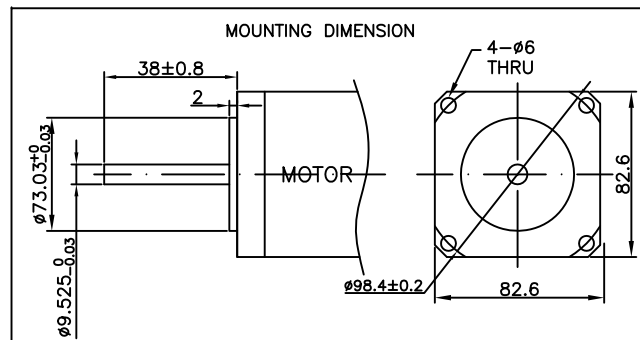
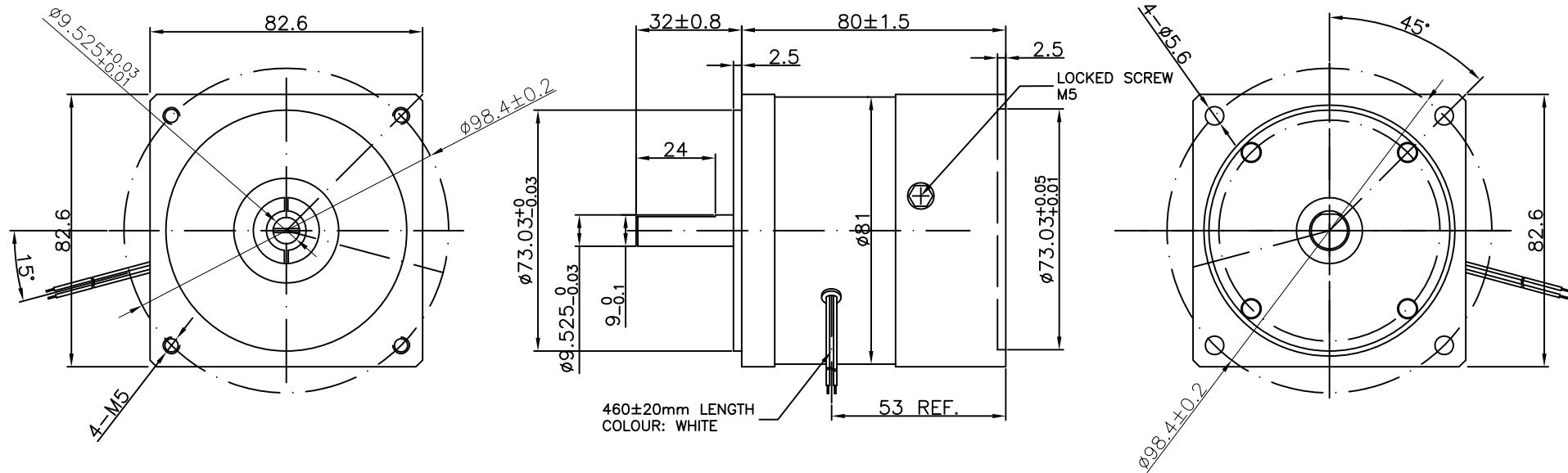
**Model Number: MPC034-24-0375**

**3/8" shaft and 3/8" bore**



# NEMA 34 electromechanical motor brake

3/8" shaft and 3/8" bore



Note: Brake is spring applied when no voltage is supplied to the unit. When current is supplied, the braking action is released.

## NOTE:

1. VOLTAGE: 24VDC
2. STATIC TORQUE: 1.68Nm Min.
3. RATED CURRENT: 0.25A
4. POWER: 6W
5. RESISTANCE: 96 Ohms
6. START VOLTAGE: 15VDCMAX
7. HI-POT: 500VAC/1S, 2mA
8. POWER OFF BRAKE

NOTE: THIS DRAWING HAS BEEN CREATED BY AUTOCAD. MANUAL REVISIONS ARE NOT ALLOWED.

		TOLERANCE UNLESS OTHERWISE SPECIFIED ISO 2768-1 MEDIUM			
DRAWN xxx	CHECKED	APPROVED - DATE	FILENAME	DATE xx/xx/xx	SCALE N/A
<b>Part Number</b> <b>MPC034-24-0375</b>			<b>BRAKE</b>		
					SHEET 1/1