



Redesigned with  
**METRIC**  
**KNOCKOUTS**  
to meet EN50262

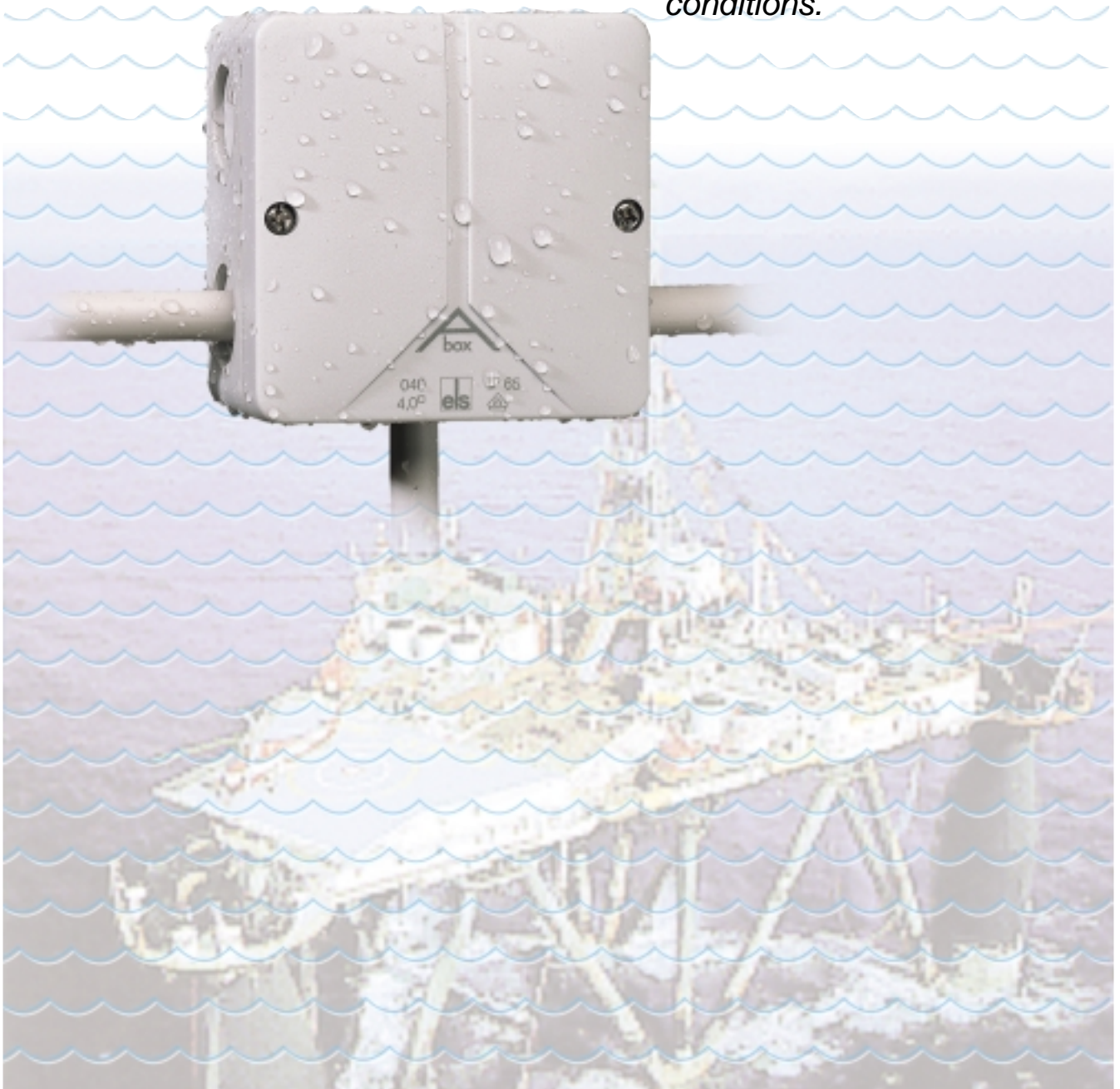
# Nautic Series

Nautic Series junction boxes for harsh environments are supplied complete with terminal blocks. These enclosures can be used wherever extreme conditions are encountered: offshore platforms, ocean vessels, petrochemical plants, steel mills and railways.

- Direct mount
- Integral seal
- IP65 protection
- High temperature resistance 120°C (248°F)
- High mechanical strength
- Corrosion and maintenance free
- Halogen free
- Standard knockouts
- 6 different sizes
- Contemporary styling
- UV fade resistance for optimal outdoor use
- High chemical resistance
- Wire sizes from 2.5mm sq. to 35mm sq.
- Ideal for installations in high risk fire areas
- Glass reinforced Polycarbonate
- Impervious to sea air and water

# Nautic Enclosures

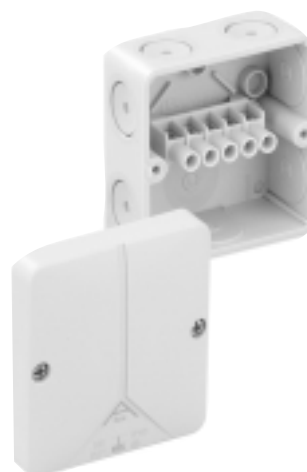
*The highly resistant material of the Nautic Series allows the enclosures to be used in the harshest environmental conditions.*



# Nautic 25 – Polycarbonate – 80x80mm (3.15x3.15in.)

## Standard Features

- **Protection Level:** IP65
- **Technical:** Self Sealing, Soft Elastic Membranes  
Suitable for Metric Entry
- **Sealing Area:** M20 - 2 to 16mm
- **Enclosure Material:** Polycarbonate
- **Gasket Material:** Polyurethane
- **Color:** Light Gray
- **Temperature Range:** Polycarbonate  
-35°C to 120°C (-31°F to 248°F)
- **Accessories:** See section below



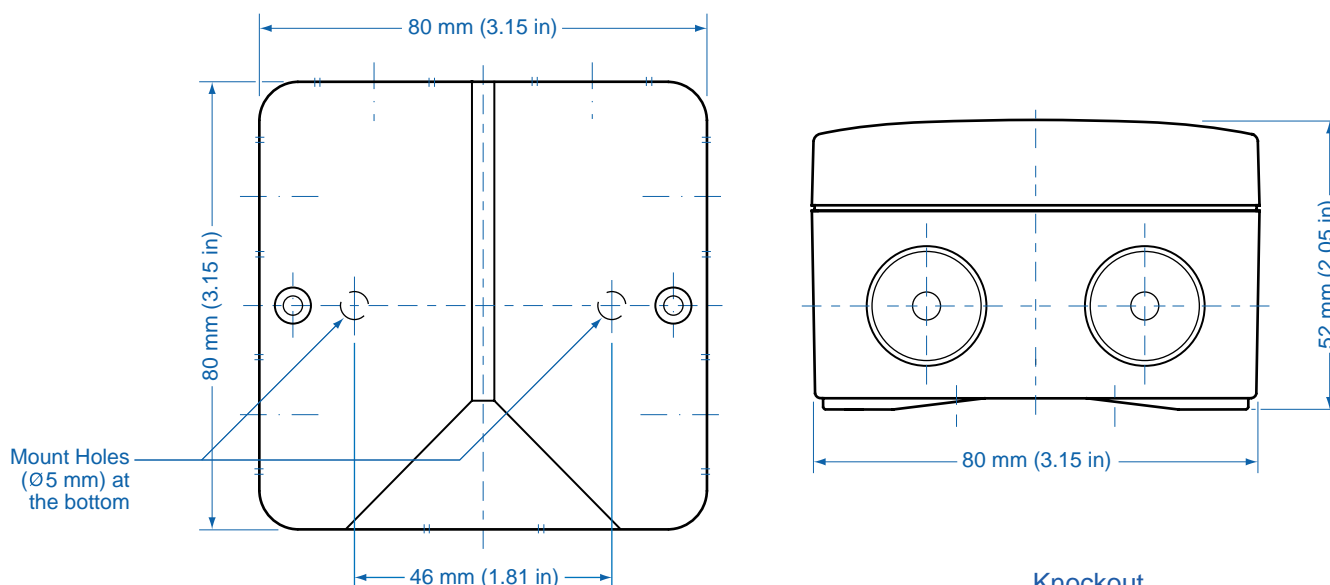
## Nautic

Ordering Information	Cat. No.	Terminal	Length	Dimensions mm (in)		Std. Pk.
				Width	Height	
Enclosure with terminals	490-402	2.5/4 mm <sup>2</sup> - 5 pole	80 mm (3.15 in)	80 mm (3.15 in)	52 mm (2.05 in)	5
Enclosure - empty	490-902	NA	80 mm (3.15 in)	80 mm (3.15 in)	52 mm (2.05 in)	5

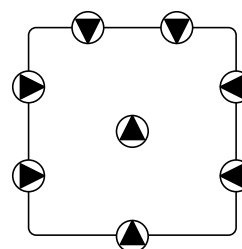
## Accessories

Ordering Information	Cat. No.	Type	Std. Pk.
Terminal	840-004	2.5/4 mm <sup>2</sup> - 5 pole	10

Please refer to pages 106-113 for additional accessories and detailed information.



### Knockout Detail



**Standard Features**

- **Protection Level:** IP65
- **Technical:** Self Sealing, Soft Elastic Membranes  
Suitable for Metric Entry
- **Sealing Area:** M20 - 2 to 16mm
- **Enclosure Material:** Polycarbonate
- **Gasket Material:** Polyurethane
- **Color:** Light Gray
- **Temperature Range:** Polycarbonate  
-35°C to 120°C (-31°F to 248°F)
- **Accessories:** See section below



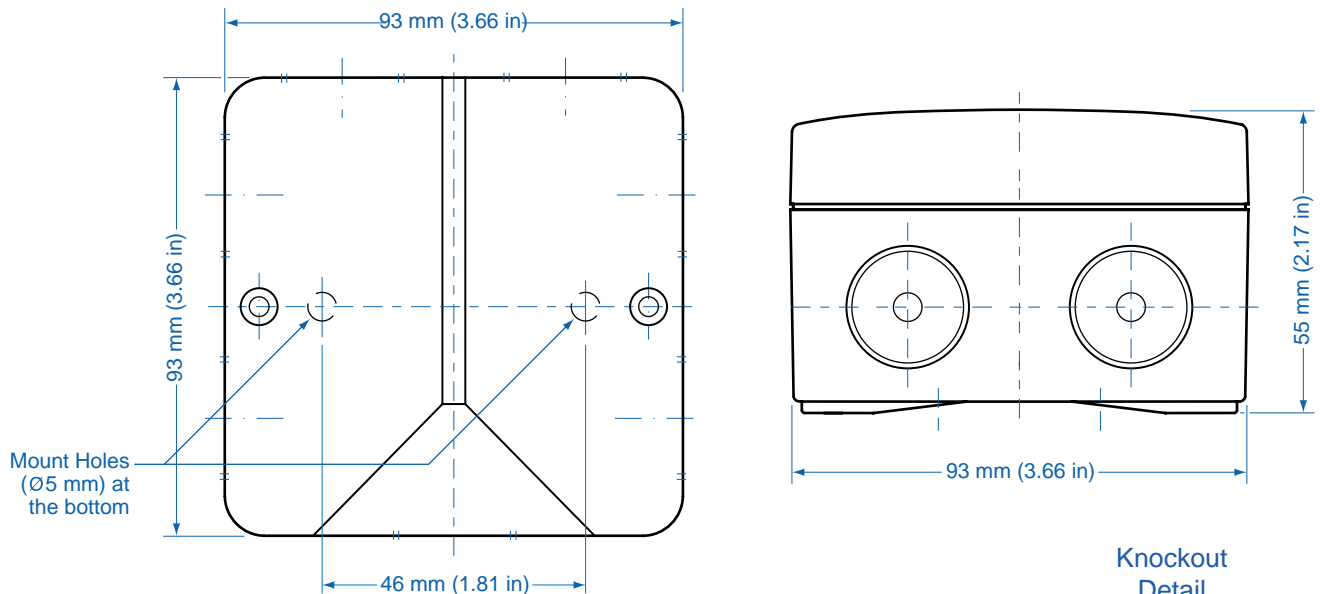
**Nautic**

Ordering Information	Cat. No.	Terminal	Length	Dimensions mm (in) Width	Height	Std. Pk.
Enclosure with terminals	490-404	2.5/4 mm <sup>2</sup> - 5 pole	93 mm (3.66 in)	93 mm (3.66 in)	55 mm (2.17 in)	4
Enclosure - empty	490-904	NA	93 mm (3.66 in)	93 mm (3.66 in)	55 mm (2.17 in)	4

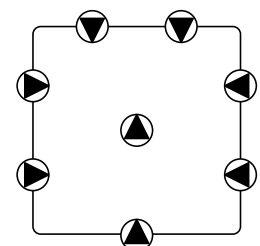
**Accessories**

Ordering Information	Cat. No.	Type	Std. Pk.
Terminal	840-004	2.5/4 mm <sup>2</sup> - 5 pole	10

Please refer to pages 106-113 for additional accessories and detailed information.



**Knockout Detail**



# Nautic 60 – Polycarbonate – 110x110mm (4.33x4.33in.)

## Standard Features

- **Protection Level:** IP65
- **Technical:** Knockout Sidewalls
- **Enclosure Material:** Polycarbonate
- **Gasket Material:** Polyurethane
- **Color:** Light Gray
- **Temperature Range:** Polycarbonate  
-35°C to 120°C (-31°F to 248°F)
- **Included Accessories:** (4) M25 Double Membrane Seals - 9-16mm
- **Accessories:** See section below



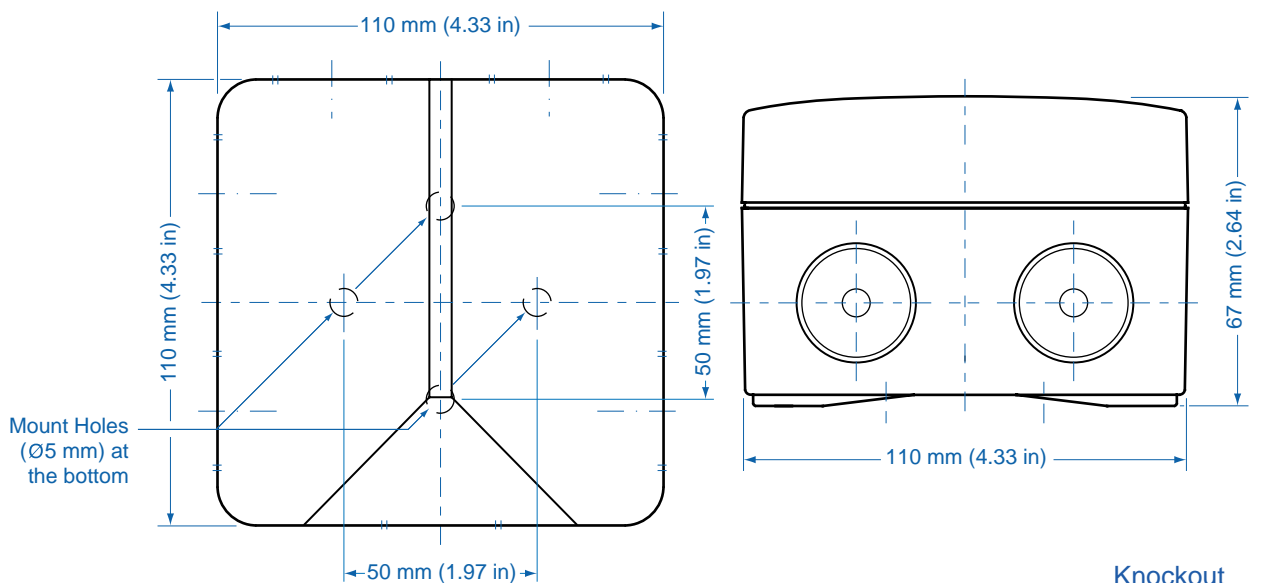
## Nautic

Ordering Information	Cat. No.	Terminal	Length	Dimensions mm (in)		Std. Pk.
				Width	Height	
Enclosure with terminals	490-406	6mm <sup>2</sup> - 5 pole	110 mm (4.33 in)	110 mm (4.33 in)	67 mm (2.64 in)	2
Enclosure - empty	490-906	NA	110 mm (4.33 in)	110 mm (4.33 in)	67 mm (2.64 in)	2

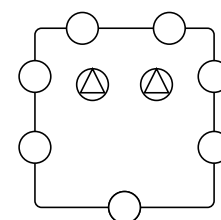
## Accessories

Ordering Information	Cat. No.	Type	Std. Pk.
Mounting Plate	895-006	MP060	1
DIN Rail TS35 -35x81mm	Z-650	TS35/81	1
Terminal	840-006	6mm <sup>2</sup> - 5 pole	5

Please refer to pages 106-113 for additional accessories and detailed information.



## Knockout Detail



**Standard Features**

- **Protection Level:** IP65
- **Technical:** Knockout Sidewalls
- **Enclosure Material:** Polycarbonate
- **Gasket Material:** Polyurethane
- **Color:** Light Gray
- **Temperature Range:** Polycarbonate  
-35°C to 120°C (-31°F to 248°F)
- **Included Accessories:** (4) M32 Double Membrane Seals - 14-21mm
- **Accessories:** See section below



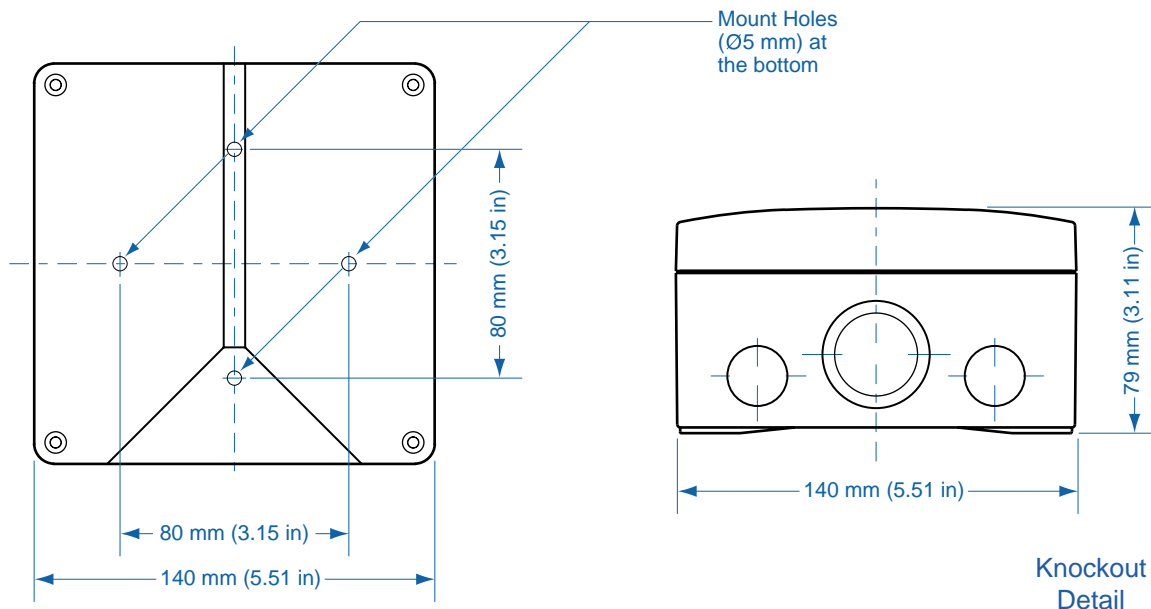
**Nautic**

Ordering Information	Cat. No.	Terminal	Length	Dimensions mm (in) Width	Height	Std. Pk.
Enclosure with terminals	490-410	10 mm <sup>2</sup> - 5 pole	140 mm (5.51 in)	140 mm (5.51 in)	79 mm (3.11 in)	2
Enclosure - empty	490-910	NA	140 mm (5.51 in)	140 mm (5.51 in)	79 mm (3.11 in)	2

**Accessories**

Ordering Information	Cat. No.	Type	Std. Pk.
Mounting Plate	895-010	MP100	1
DIN Rail TS35 - 35x106mm	Z-658	TS35/106	1
Terminal	840-010	10 mm <sup>2</sup> - 5 pole	5

Please refer to pages 106-113 for additional accessories and detailed information.



M16



M20



M20/25



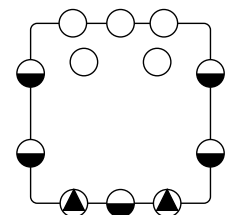
M25/32



M32/40



M40/50



# Nautic 160 – Polycarbonate – 180x180mm (7.09x7.09in.)

## Standard Features

- **Protection Level:** IP65
- **Technical:** Knockout Sidewalls
- **Enclosure Material:** Polycarbonate
- **Gasket Material:** Polyurethane
- **Color:** Light Gray
- **Temperature Range:** Polycarbonate  
-35°C to 120°C (-31°F to 248°F)
- **Included Accessories:** Tamper Kit
- **Accessories:** See section below



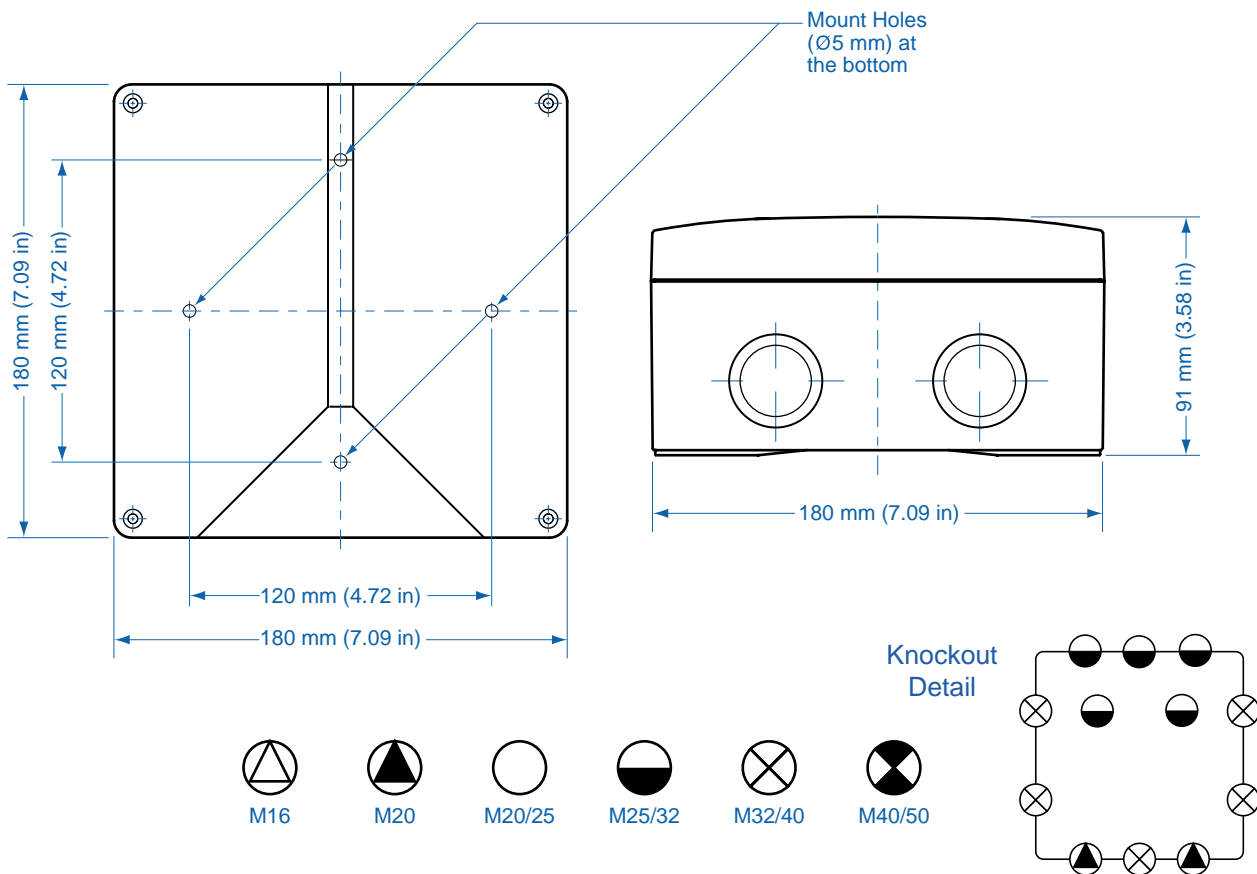
## Nautic

Ordering Information	Cat. No.	Terminal	Length	Dimensions mm (in)		Std. Pk.
				Width	Height	
Enclosure with terminals	490-416	16/25 mm <sup>2</sup> - 5 pole	180 mm (7.09 in)	180 mm (7.09 in)	91 mm (3.58 in)	1
Enclosure - empty	490-916	NA	180 mm (7.09 in)	180 mm (7.09 in)	91 mm (3.58 in)	1

## Accessories

Ordering Information	Cat. No.	Type	Std. Pk.
Mounting Plate	895-016	MP160	1
DIN Rail TS35 - 35x144mm	Z-655	TS35/144	1
Terminal with supports	840-016	16/25 mm <sup>2</sup> - 5 pole	2

Please refer to pages 106-113 for additional accessories and detailed information.





**Standard Features**

- **Protection Level:** IP65
- **Technical:** Knockout Sidewalls
- **Enclosure Material:** Polycarbonate
- **Gasket Material:** Polyurethane
- **Color:** Light Gray
- **Temperature Range:** Polycarbonate  
-35°C to 120°C (-31°F to 248°F)
- **Included Accessories:** Tamper Kit
- **Accessories:** See section below



**Nautic**

Ordering Information	Cat. No.	Terminal	Length	Dimensions mm (in) Width	Height	Std. Pk.
Enclosure with terminals	490-435	35/25 mm <sup>2</sup> - 5 pole	250 mm (9.84 in)	250 mm (9.84 in)	115 mm (4.53 in)	1
Enclosure - empty	490-935	NA	250 mm (9.84 in)	250 mm (9.84 in)	115 mm (4.53 in)	1

**Accessories**

Ordering Information	Cat. No.	Type	Std. Pk.
Mounting Plate	895-035	MP350	1
DIN Rail TS35 - 35x216mm	Z-652	TS35/216	1
Terminal with supports	840-035	35/25 mm <sup>2</sup> - 5 pole	1

Please refer to pages 106-113 for additional accessories and detailed information.

