

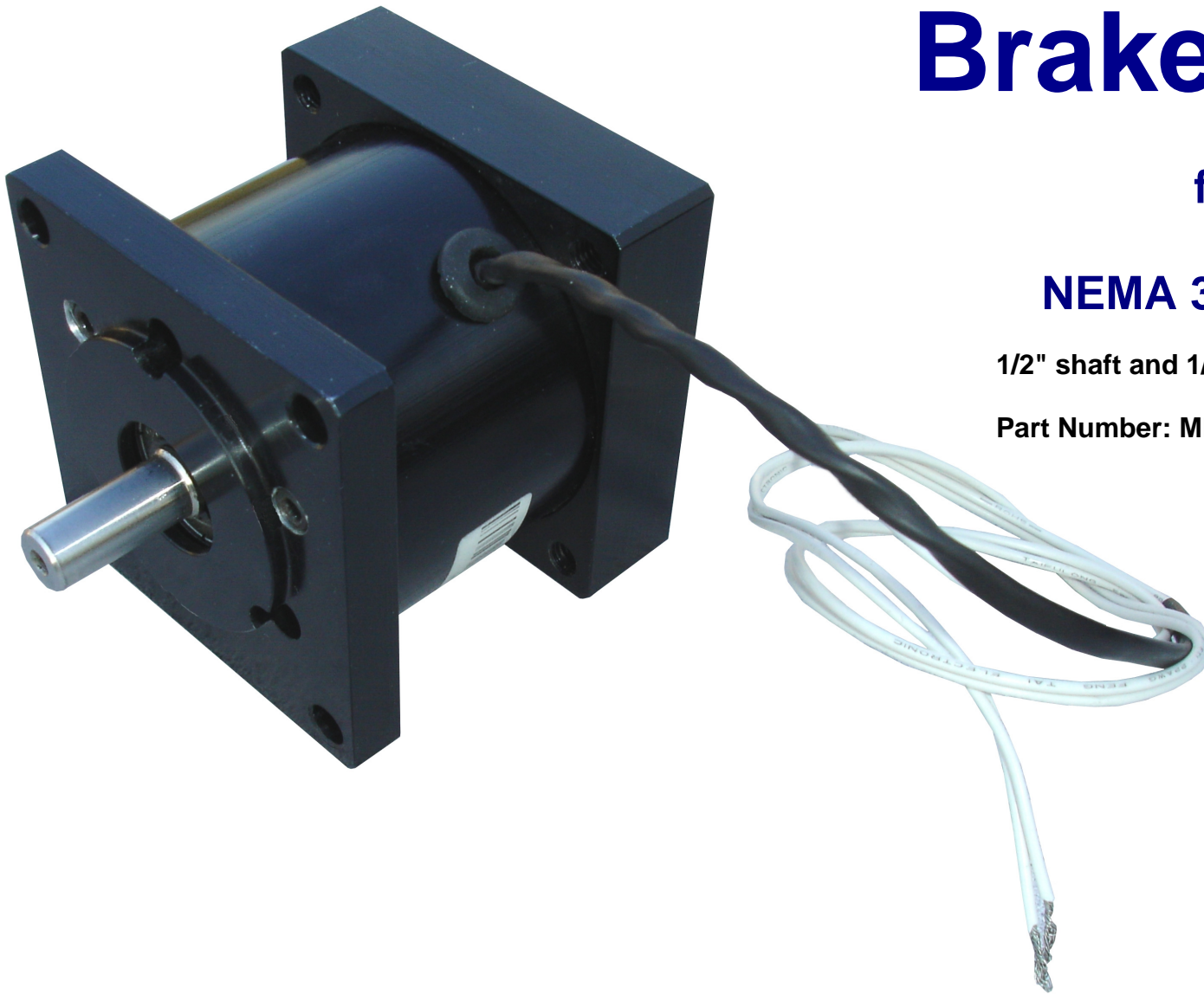
# Servo/Stepper Brake

for

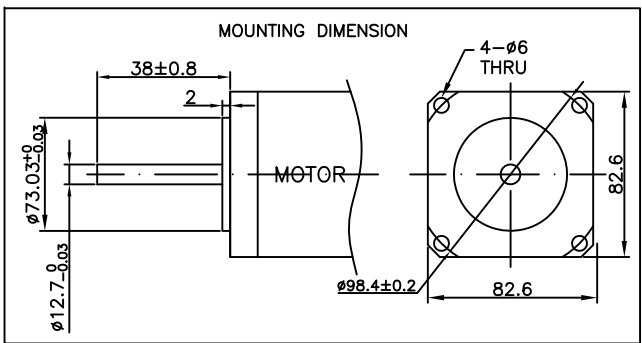
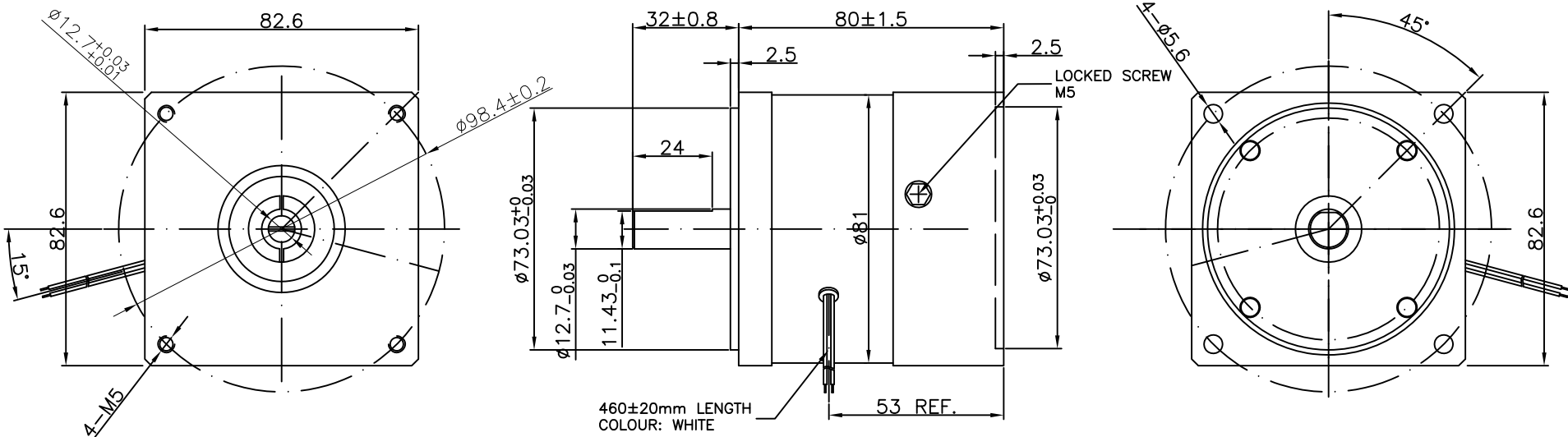
**NEMA 34 Motors**

1/2" shaft and 1/2" bore

Part Number: MPC034-24-0500



# NEMA 34 Stepper/Servo Brake



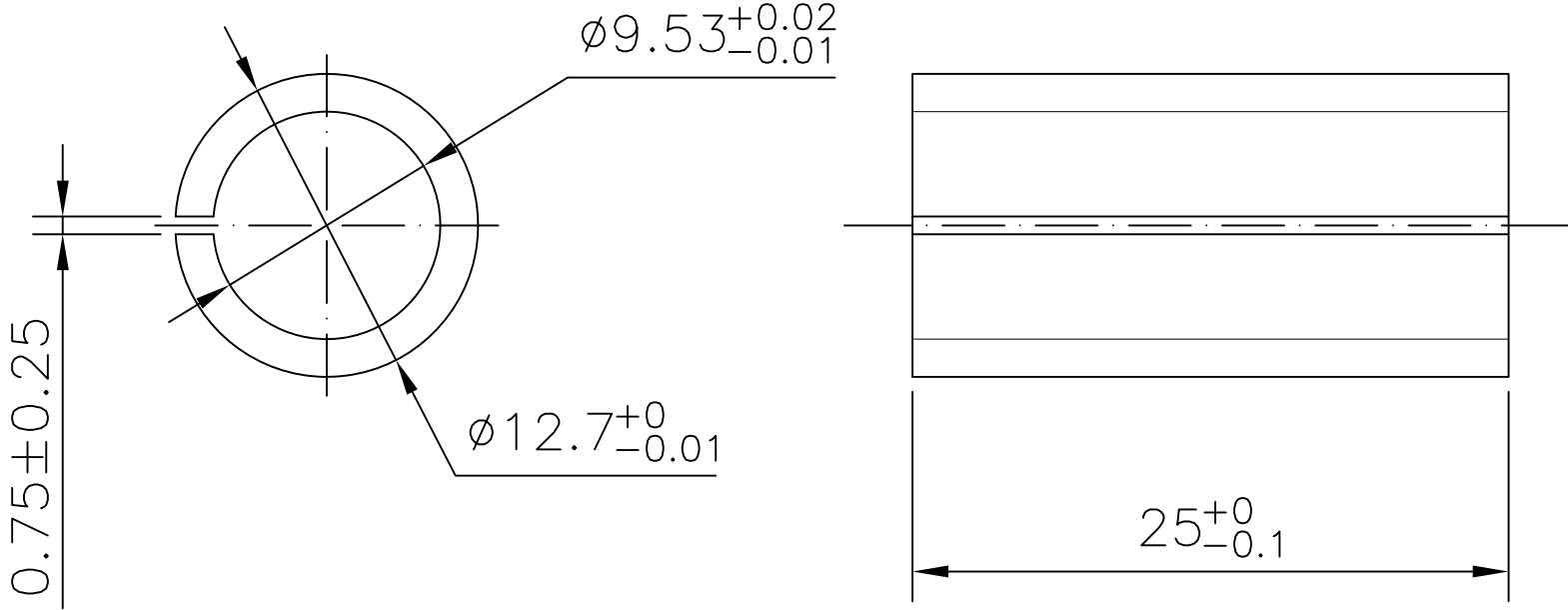
- NOTE:
1. VOLTAGE: 24VDC
  2. STATIC TORQUE: 1.68Nm Min.
  3. RATED CURRENT: 0.25A
  4. POWER: 6W
  5. RESISTENCE: 96 Ohms
  6. START VOLTAGE: 15VDCMAX
  7. HI-POT: 500VAC/1S, 2mA
  8. POWER OFF BRAKE

Note: Brake is spring applied when no voltage is supplied to the unit. When current is supplied, the braking action is released.

NOTE: THIS DRAWING HAS BEEN CREATED BY AUTOCAD. MANUAL REVISIONS ARE NOT ALLOWED.

MATERIAL		TOLERANCE UNLESS OTHERWISE SPECIFIED ISO 2768-1 MEDIUM			
DRAWN xxx	CHECKED	APPROVED - DATE	FILENAME	DATE xx/xx/xx	SCALE N/A
Part Number: <b>MPC034-24-0500</b>			<b>BRAKE</b>		
			<b>1/2" shaft &amp; 1/2" bore</b>		

This bushing allows motors with 3/8" shaft to be used  
with the MPC034-24-0500 servo/stepper brake.



NOTE: THIS DRAWING HAS BEEN CREATED BY AUTOCAD. MANUAL REVISIONS ARE NOT ALLOWED.

MATERIAL 45# STEEL		TOLERANCE UNLESS OTHERWISE SPECIFIED ISO 2768-1 MEDIUM			
DRAWN xxx	CHECKED	APPROVED - DATE	FILENAME	DATE xx/xx/xx	SCALE N/A
Part Number ML000242			BRAKE		
			XXXXXXXXXX		