

**HIWIN®**

# LINEAR ACTUATOR

**New**



D-Sub 25-pin

D-Sub 15-pin

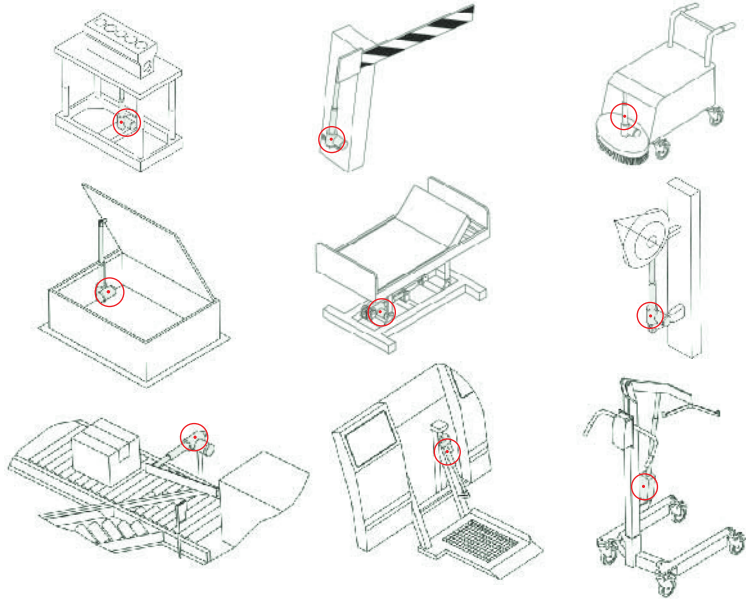
(LMSP-X1 Finger)

0100010010010  
0100100010010  
001001001000100010

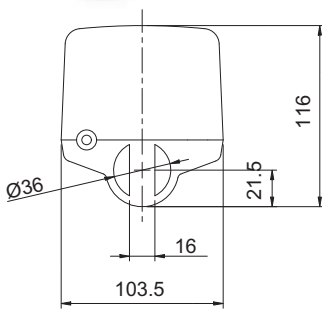
**Your 21st Century Partner in Technology Innovation**

## • Applications

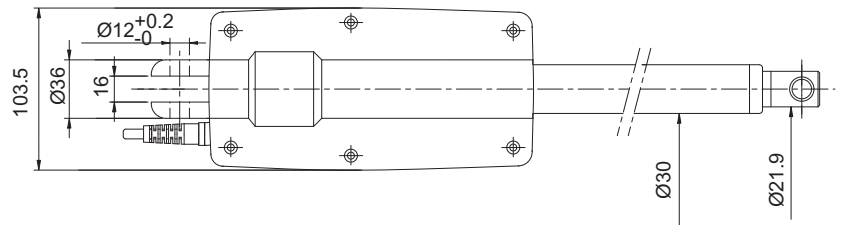
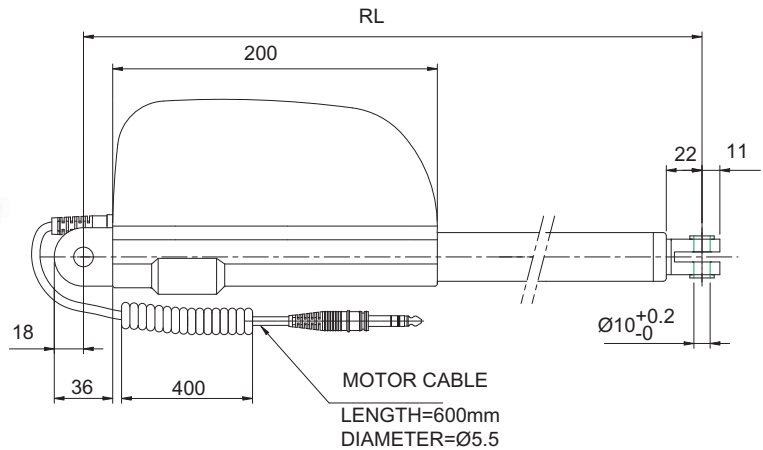
- Automation equipment
- Automatic windows and doors
- Automatic cupboard
- Automatic satellite antenna
- Automatic wheel chair
- Automatic hospital bed
- Entertainment facilities
- Household appliances
- Automatic drawing table
- Home care facilities
- Patient lifter
- Massage chair
- Traffic facilities
- Office automation
- Automatic PC desk
- Health cares facilities
- Facilities of senior Citizen



## • HIWIN LAH2 Type



- RL= S+198 ( LAH2-1A,2A,3A )
- RL= S+189 ( LAH2-1B )
- RL : Retracted length
- S : Stroke length



Screw type	Ball screw(ACME)
Weight*	3.1kg
Protection	IP 54
Compatible Controller	LAK2/LAK2B

Position feedback specifications(Hall sensor)	
Supply voltage	24VDC
Output	High level 22VDC Low level 0.2v/ 5m A sink
Resolution	0.4mm/pulse

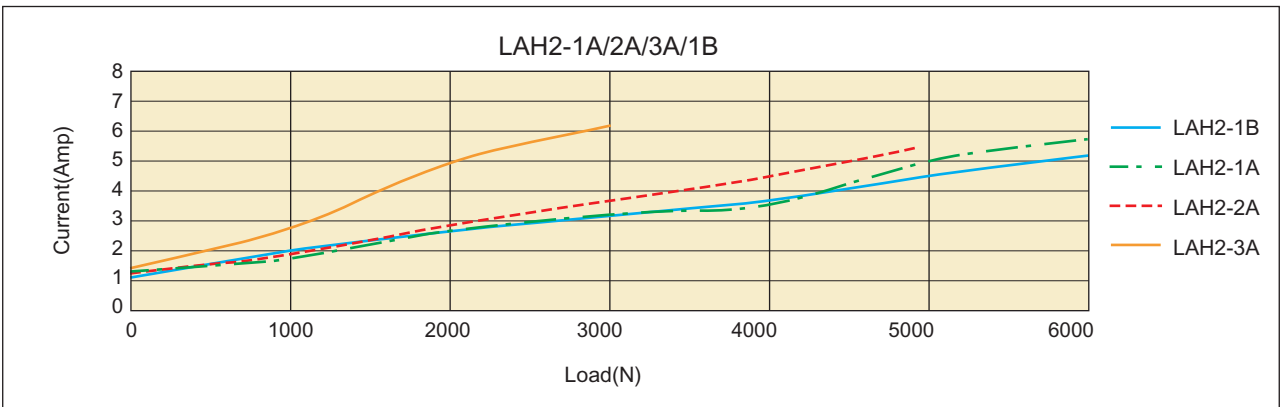
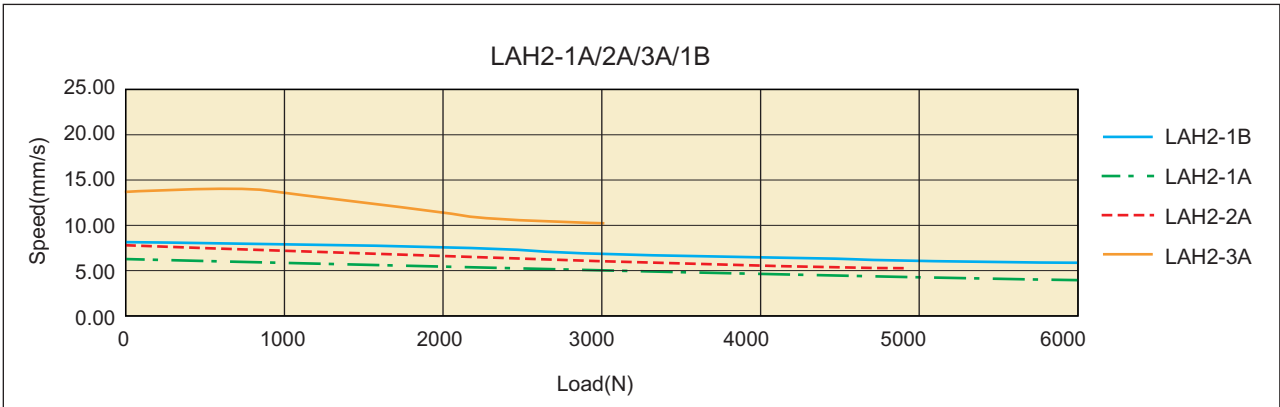
\*: Stroke length 300mm

\*: Option: IP66 , position feedback

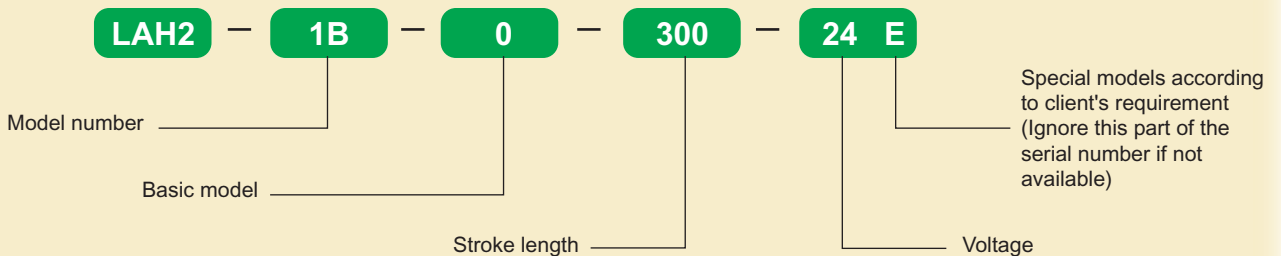
• **LAH2 Specifications**

Model	Screw type	Thrust max. (N)	Holding force max. (N)	Speed (mm/s) Load=Max. / Load=0	Standard stroke(mm):S							Duty cycle %	Max.current (A) 24VDC
					100	150	200	250	300	350	400		
LAH2-1A	ACME	6000	5000	4/6	100	150	200	250	300	350	400	10	6
LAH2-2A	ACME	5000	5000	5/7.5	100	150	200	250	300	350	400	10	6
LAH2-3A	ACME	3000	3000	9/14	100	150	200	250	300	350	400	10	6
LAH2-1B	Ball screw	6000	5000	5/7.5	100	150	200	250	300	350	400	10	6

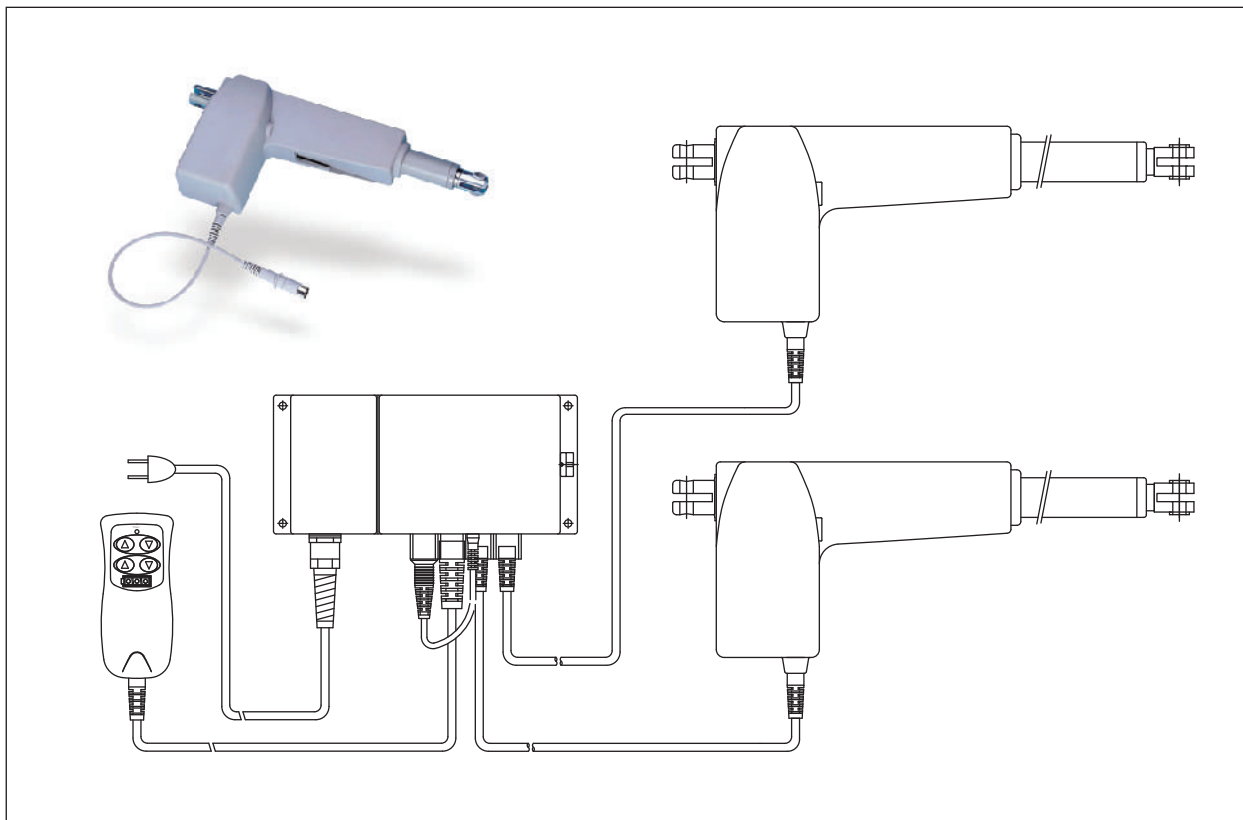
\* Holding force ( push direction only)



• **LAH2 Ordering Information**



• For Series LAH, LAS, LAF, LAI and LAM



• Ordering Information

**LAK2B** – **1 1** – **110** – **G E**

Actuator No. 1  
 F: LAF ; I: LAI  
 S: LAS ; M: LAM  
 1: LAH1;2:LAH 2

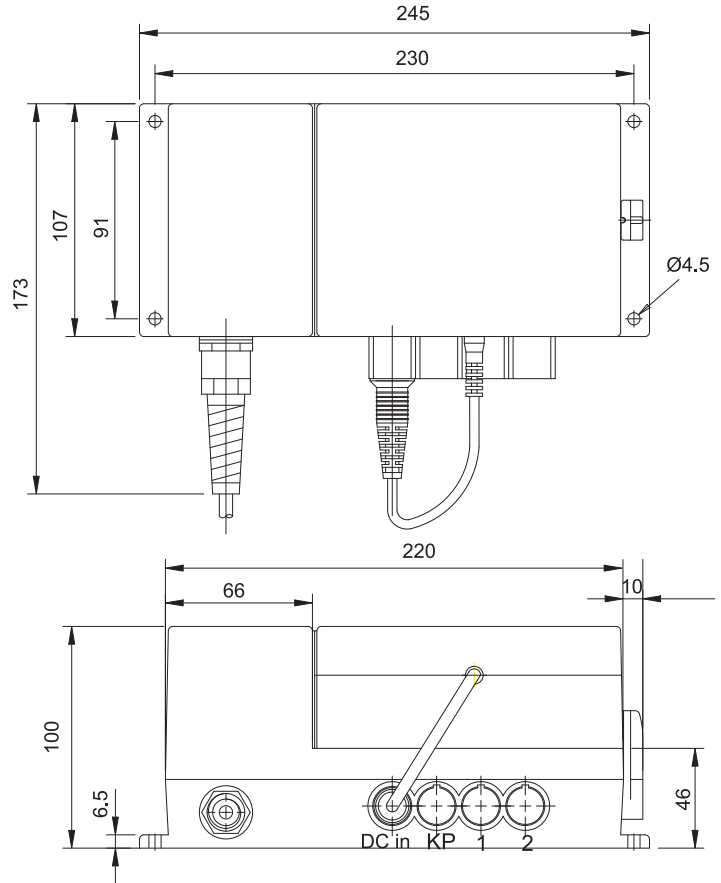
Actuator No. 2  
 0: NO; I: LAI  
 F: LAF ; S: LAS  
 M: LAM ;  
 1: LAH1;2:LAH2

Input Voltage  
 100: AC100V; 110: AC110V  
 220: AC220V; 230:AC230V

Special models according to  
 client's requirement  
 (Ignore this part of the serial  
 number if not available)

Color  
 B: Black  
 G: Gary

• **HIWIN LAK2B Type**

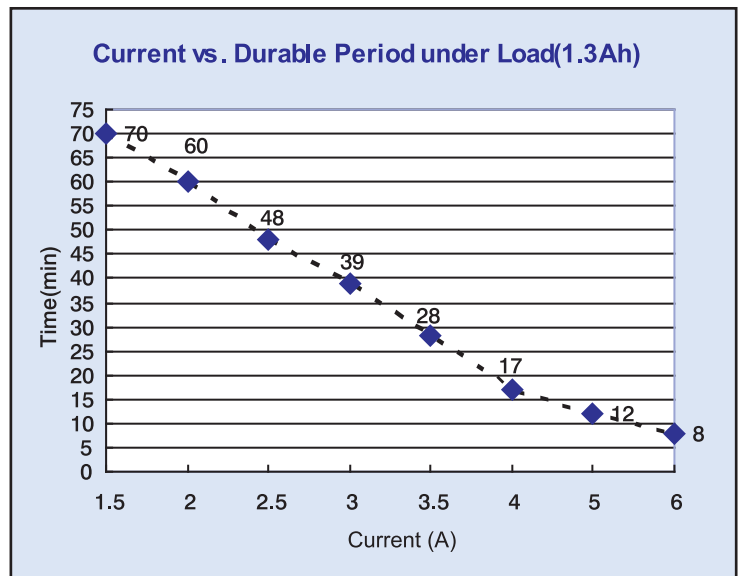


Input Voltage	AC 100/110/220/230V
Output power	108W (24VDC)
Duty cycle	10%
Working temp	-5 °C ~ 50°C
Protection	IP 54

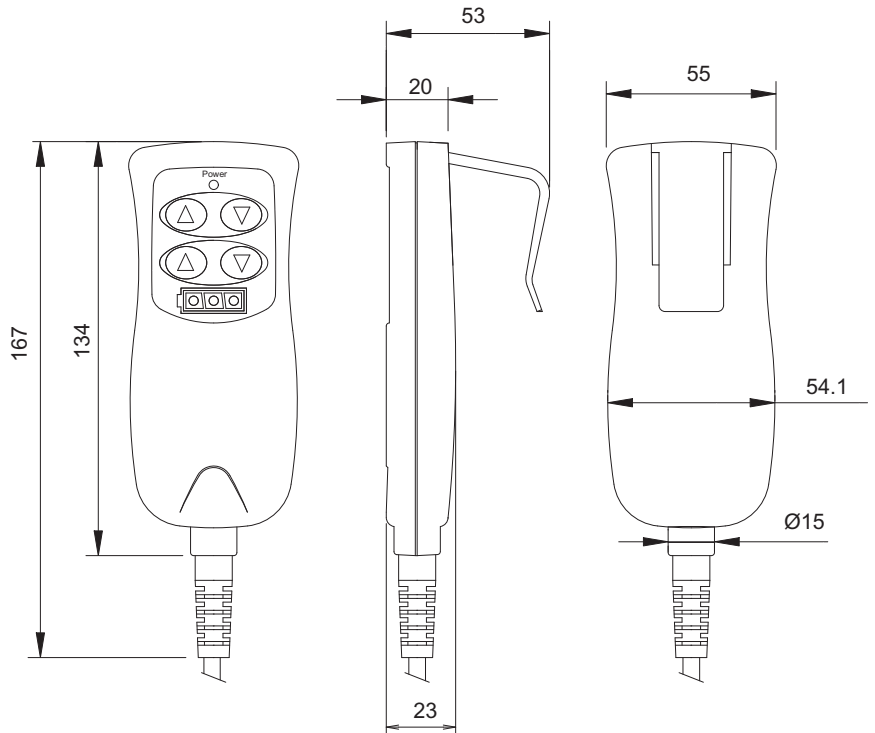
Option:IP66

• **Features of LAK2B**

- Control 1 or 2 Linear Actuators
- Compact size
- Over load protection
- Soft - start
- Standard cable length : 4 m
- Battery recharge
- Automatic alarm when the battery is low
- Battery capacity 1.3 Ah (Option:2.9Ah)



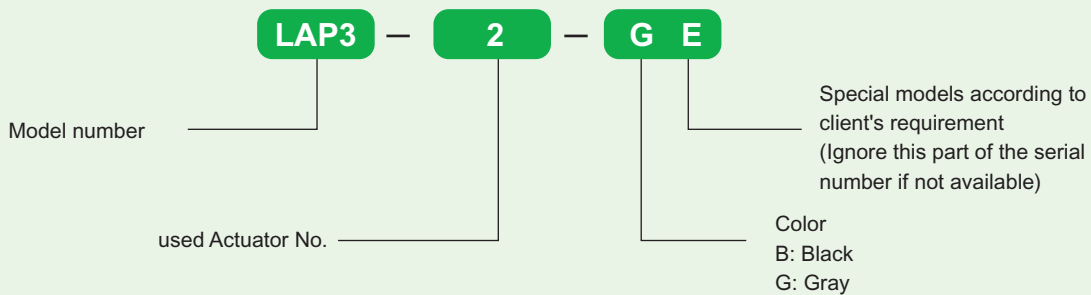
• **HIWIN LAP3 Type**



• **Features of LAP3**

- Control of max. 2 Actuators
- Compatible with LAK2B
- Ergonomic design
- Standard cable length: coil 600mm; total 1100mm
- LED for battery capacity
- Protection: IP 66
- A mankind figure is optional

• **LAP3 Ordering Information**



Your 21st Century Partner in Technology Innovation



**HIWIN MIKROSYSTEM CORP.**  
 No. 1, 6Th Road,  
 Taichung Industrial Park,  
 Taichung 407, Taiwan  
 TEL: +886-4-23550110  
 FAX: +886-4-23550123  
 http://www.hiwinmikro.com.tw  
 E-mail: business@mail.hiwinmikro.com.tw

**OVERSEAS SUBSIDIARIES:**

**HIWIN GmbH**  
 Brücklesbünd 2, D-77654  
 Offenburg, Germany  
 TEL: +49-781-93278-0  
 FAX: +49-781-93278-90  
 http://www.hiwin.de  
 E-mail: info@hiwin.de

**HIWIN CORPORATION**  
**•CHICAGO**  
 520 Business Center Drive,  
 Mt. Prospect, IL 60056, U.S.A.  
 TEL: +1-847-8272270  
 FAX: +1-847-8272291  
 TOLL FREE: +1-877-80-HIWIN  
 http://www.hiwin.com  
 E-mail: info@hiwin.com

**Motion and Control GmbH**  
 PO Box 1367  
 Alte Landstr. 188, CH-8800 Thalwil  
 Switzerland  
 Tel: +41-43-3550330  
 Fax: +41-43-3550331  
 http://www.hiwin.ch  
 E-mail: info@hiwin.ch

**HIWIN CORPORATION**  
 3F. Sannomiya-Chuo Bldg.  
 4-2-20 Goko-Dori.  
 Chuo-Ku, KOBE 651-0087, Japan  
 TEL+81-78-262-5413  
 FAX+81-78-262-5686  
 http://www.hiwin.co.jp  
 E-mail: mail@hiwin.co.jp

**•SILICON VALLEY**  
 2073 O'Toole Avenue,  
 San Jose, CA 95131, U.S.A.  
 TEL: +1-408-9430290  
 FAX: +1-408-9430891  
 TOLL FREE: +1-877-GOHIWIN  
 http://www.hiwinmikro.com  
 E-mail: hiwin@worldnet.att.net

**HIWIN S.R.O**  
 Lozibky 15  
 61400 Brno,  
 Czech Republic  
 Tel/Fax: +420-5-485-28238  
 http://www.krios.cz  
 E-mail: krios@sky.cz