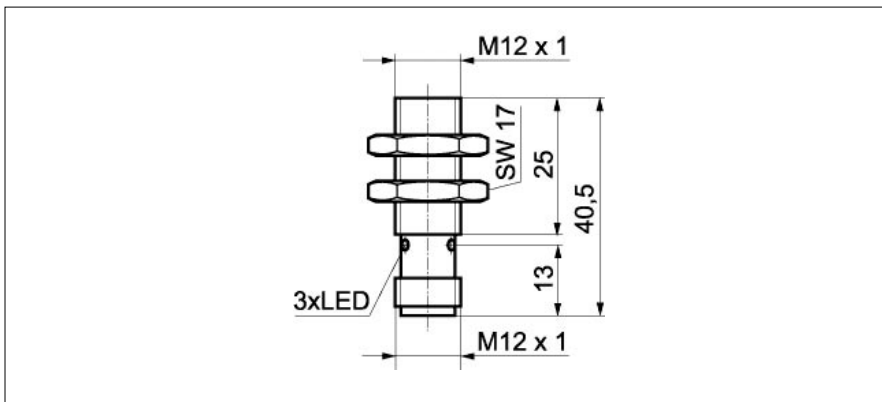


Inductive proximity switches

IFRM 12 (short)

sample drawing



general data

mounting type	shielded
nominal sensing distance S_n	4 mm
hysteresis	3 ... 20 % of S_r

electrical data

switching frequency	< 2 kHz
voltage supply range +Vs	10 ... 30 VDC
current consumption max.	10 mA
voltage drop Vd	< 2 VDC
output current	< 200 mA
short circuit protection	yes
reverse polarity protection	yes

mechanical data

type	cylindrical threaded
material (sensing face)	PBT
housing material	brass nickel plated
dimension	12 mm

ambient conditions

operating temperature	-25 ... +75 °C
protection class	IP 67

sample picture



types available	connection types	output circuit	output function	housing length	output indicator
IFRM 12N1701/L	cable	NPN	NO	30,5 mm	LED red
IFRM 12N1703/S14L	connector	NPN	NO	40,5 mm	3 port LED red
IFRM 12N3701/L	cable	NPN	NC	30,5 mm	LED red
IFRM 12N3703/S14L	connector	NPN	NC	40,5 mm	3 port LED red
IFRM 12P1701/L	cable	PNP	NO	30,5 mm	LED red
IFRM 12P1703/S14L	connector	PNP	NO	40,5 mm	3 port LED red
IFRM 12P3701/L	cable	PNP	NC	30,5 mm	LED red
IFRM 12P3703/S14L	connector	PNP	NC	40,5 mm	3 port LED red