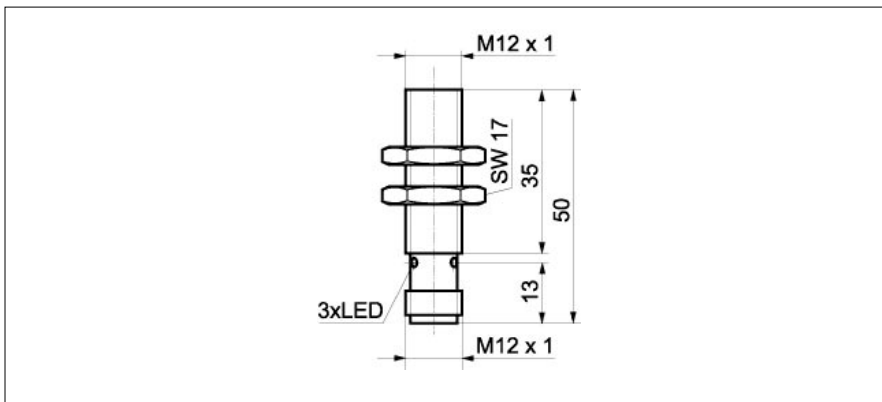


Inductive proximity switches

IFRM 12 (medium)

sample drawing



general data

mounting type	shielded
nominal sensing distance S_n	4 mm
hysteresis	3 ... 20 % of S_r

electrical data

switching frequency	< 2 kHz
voltage supply range + V_s	10 ... 30 VDC
current consumption max.	10 mA
voltage drop V_d	< 2 VDC
output current	< 200 mA
short circuit protection	yes
reverse polarity protection	yes

mechanical data

type	cylindrical threaded
material (sensing face)	PBT
housing material	brass nickel plated
dimension	12 mm

ambient conditions

operating temperature	-25 ... +75 °C
protection class	IP 67

sample picture



types available	connection types	output circuit	output function	housing length	output indicator
IFRM 12N1701/S14L	connector	NPN	NO	50 mm	3 port LED red
IFRM 12N1702/L	cable	NPN	NO	40 mm	LED red
IFRM 12N3701/S14L	connector	NPN	NC	50 mm	3 port LED red
IFRM 12N3702/L	cable	NPN	NC	40 mm	LED red
IFRM 12P1701/S14L	connector	PNP	NO	50 mm	3 port LED red
IFRM 12P1702/L	cable	PNP	NO	40 mm	LED red
IFRM 12P3701/S14L	connector	PNP	NC	50 mm	3 port LED red
IFRM 12P3702/L	cable	PNP	NC	40 mm	LED red