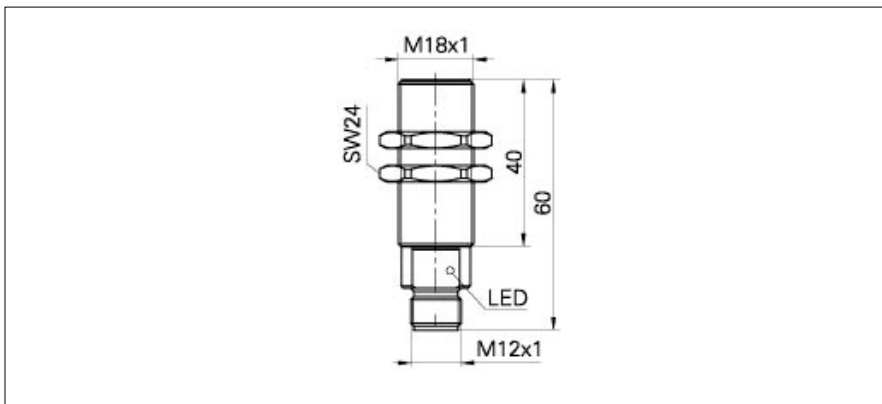


Inductive proximity switches

IFRM 18 (medium, plastic bottom)

sample drawing



general data

mounting type	quasi shielded
nominal sensing distance S_n	8 mm
hysteresis	3 ... 20 % of S_r
output indicator	LED red

electrical data

switching frequency	< 500 Hz
voltage supply range +Vs	10 ... 30 VDC
current consumption max.	12 mA
voltage drop Vd	< 2 VDC
output current	< 200 mA
short circuit protection	yes
reverse polarity protection	yes

mechanical data

type	cylindrical threaded
material (sensing face)	PBT
housing material	brass nickel plated / PC
dimension	18 mm

ambient conditions

operating temperature	-25 ... +75 °C
protection class	IP 67

sample picture



types available	connection types	output circuit	output function	housing length
IFRM 18N17A3/L	cable	NPN	NO	49,5 mm
IFRM 18N17A3/S14L	connector	NPN	NO	60 mm
IFRM 18N37A3/L	cable	NPN	NC	49,5 mm
IFRM 18N37A3/S14L	connector	NPN	NC	60 mm
IFRM 18P17A3/L	cable	PNP	NO	49,5 mm
IFRM 18P17A3/S14L	connector	PNP	NO	60 mm
IFRM 18P37A3/L	cable	PNP	NC	49,5 mm
IFRM 18P37A3/S14L	connector	PNP	NC	60 mm