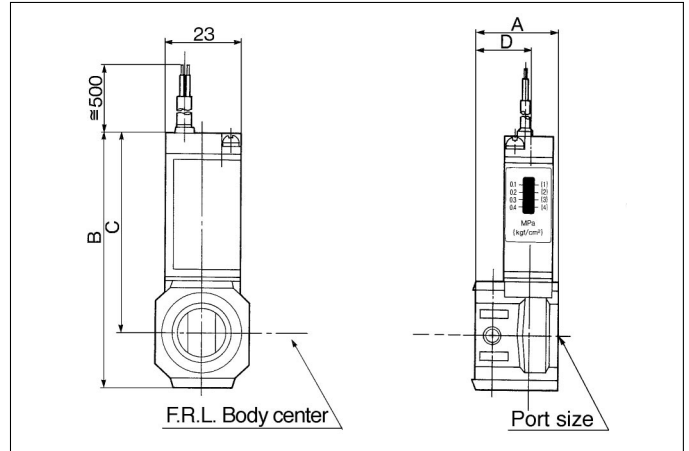


## Pressure Switch with Piping Adapter



| Model (1)     | Port size | A  | B  | C  | D    | Applicable model   |
|---------------|-----------|----|----|----|------|--|
| IS1000E-2□01Y | 1/8       | 28 | 73 | 62 | 18.5 | AC2000, AC2010, AC2020<br>AC2030, AC2040<br>AW2000                                   |
| IS1000E-2□02Y | 1/4       |    |    |    |      |  |
| IS1000E-2□03Y | 3/8       |    |    |    |      |  |
| IS1000E-3□02Y | 1/4       | 26 | 80 | 63 | 16.5 | AC2500, AC2520, AC2530<br>AC3000, AC3010, AC3020<br>AC3030, AC3040<br>AW3000, AW3050 |
| IS1000E-3□03Y | 3/8       |    |    |    |      |  |
| IS1000E-3□04Y | 1/2       | 40 | 80 | 63 | 17.5 |  |
| IS1000E-4□02Y | 1/4       |    |    |    |      |  |
| IS1000E-4□03Y | 3/8       |    |    |    |      |  |
| IS1000E-4□04Y | 1/2       | 33 | 87 | 66 | 17.5 | AC4000, AC4010, AC4020<br>AC4030, AC4040<br>AW4000, AW4050 (2)                       |
| IS1000E-4□06Y | 3/4       | 50 | 87 | 66 | 17.5 |  |

Note1) □ in the part number indicate a connecting thread. Use nothing for Rc(PT), N for NPT and F for G(PF).  
 Note2) Can NOT be mounted on "AC40□0-06" and "AW40□0-06".  
 \*With retainer, O ring and bolt.  
 \*\*Consult SMC when mounting the pressure switch on "AC40□0-06" and "AW40□0-06".

\*For more information, refer to p.3.0-0.

### Specifications

|                               |                             |
|-------------------------------|-----------------------------|
| Fluid                         | Air                         |
| Proof pressure                | 1.0MPa                      |
| Max. operating pressure       | 0.7MPa                      |
| Set pressure range (off)      | 0.1 to 0.4MPa               |
| Differential                  | 0.08MPa                     |
| Ambient and fluid temperature | 5 to 60°C (No condensation) |

### Switch Characteristics

|                             |  |
|-----------------------------|--|
| Contact point structure     | 1a   |
| Max. contact point capacity | 2V AC/2W DC  |
| Voltage AC, DC              | 12V, 24V, 48V, 100V  |
| Max. operating current      | AC, 12V to 24V DC: 50mA<br>AC, 48V DC: 40mA<br>AC, 100V DC: 20mA |

### How to Order

IS1000E- 3 □ 03 YL □

Pressure switch with piping adapter

Body size

|   |                     |
|---|---------------------|
| 2 | For AC2000          |
| 3 | For AC2500, AC3000  |
| 4 | For AC4000-02 to 04 |

Thread

|   |        |
|---|--------|
| — | Rc(PT) |
| N | NPT    |
| F | G(PF)  |

Options

|      |   |
|------|---|
| X201 | Length of lead wire: 3m                     |
| X202 | Setting pressure range: 0.1 to 0.6MPa       |
| X250 | Reverse mounting (Left side mounting style) |

Attachment

|    |                                    |
|----|------------------------------------|
| —  | Without attachment                 |
| Y  | With attachment                    |
| YL | With attachment and L type bracket |
| YT | With attachment and T type bracket |

Piping adapter port size

|    |     |
|----|-----|
| 01 | 1/8 |
| 02 | 1/4 |
| 03 | 3/8 |
| 04 | 1/2 |
| 06 | 3/4 |

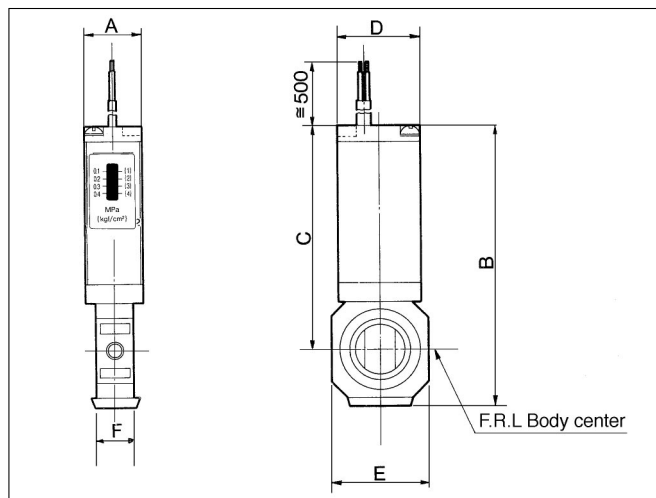
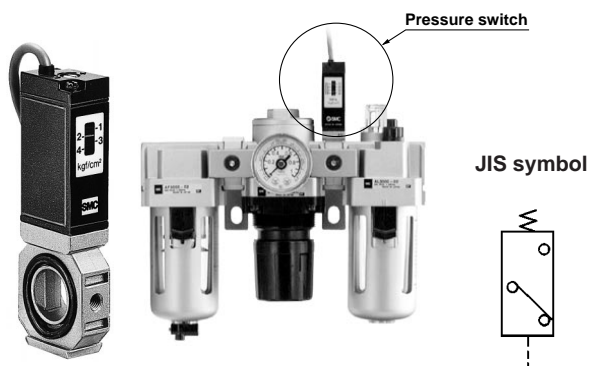
### Attachments for IS1000E

| Pressure switch applicable model No. | Y type standard | YL type with L type bracket | YT type with T type bracket |
|--------------------------------------|-----------------|-----------------------------|-----------------------------|
| IS1000E-201 to 203                   | Y20E            | Y20LE                       | Y20TE                       |
| IS1000E-302 to 304                   | Y30E            | Y30LE                       | Y30TE                       |
| IS1000E-402 to 406                   | Y40E            | Y40LE                       | Y40TE                       |

- AC
- AV
- AU
- AF
- AR
- IR
- VEX
- AW
- AMR
- AWM
- AWD
- ITV
- VBA
- VE
- VY
- G
- AL

## Pressure Switch: (S)

Compact pressure switch can be mounted easily.  
Makes it easier to detect pressure in lines.



| Model      | A  | B    | C    | D  | E  | F  | Applicable model                                 |
|------------|----|------|------|----|----|----|--|
| IS1000M-2Y | 15 | 73.5 | 62.6 | 23 | 28 | 10 | AC2000, AC2020, AC2030                           |
| IS1000M-3Y | 15 | 82   | 64.9 | 23 | 29 | 11 | AC2500, AC2520, AC2530<br>AC3000, AC3020, AC3030 |
| IS1000M-4Y | 15 | 88.7 | 67.6 | 23 | 35 | 14 | AC4000, AC4020, AC4030                           |
| IS1000M-5Y | 15 | 91   | 68   | 23 | 44 | 14 | AC4000-06, AC4020-06<br>AC4030-06                |
| IS1000M-6Y | 15 | 100  | 72.5 | 23 | 54 | 15 | AC5000, AC5500, AC6000<br>AC5020, AC5520, AC6020 |

### Specifications

|                               |                            |
|-------------------------------|----------------------------|
| Fluid                         | Air                        |
| Proof pressure                | 1.0MPa                     |
| Max. operating pressure       | 0.7MPa                     |
| Set pressure range (off)      | 0.1 to 0.4MPa              |
| Differential                  | 0.08MPa                    |
| Ambient and fluid temperature | 5 to 60°C(No condensation) |

### Switch Characteristics

|                             |  |
|-----------------------------|--|
| Contact point structure     | 1a   |
| Max. contact point capacity | 2V AC/2W DC  |
| Voltage AC, DC              | 12V, 24V, 48V, 100V  |
| Max. operating current      | AC, 12V to 24V DC: 50mA<br>AC, 48V DC: 40mA<br>AC, 100V DC: 20mA |

\*For more information, refer to SMC  
Pressure switch catalog. (Catalog No.E824)

### Caution on Assembling

Attachment for pressure switch can be installed at the IN/OUT side of AF, AR, AL, AFM and AFD. Mounting at the IN/OUT side of AW and upward handle of AR is not possible.

### How to Order

IS1000M - 4 - YT - [ ]

Pressure switch

Body size

|   |                     |
|---|---------------------|
| 2 | For AC2000          |
| 3 | For AC2500, AC3000  |
| 4 | For AC4000-02 to 04 |
| 5 | For AC4000-06       |
| 6 | For AC5000, AC6000  |

Options

|      |                                   |
|------|-----------------------------------|
| X201 | Length of lead wire: 3m           |
| X202 | Set pressure range: 0.1 to 0.6MPa |

Attachment

|    |                                    |
|----|------------------------------------|
| —  | Without attachment                 |
| Y  | With attachment                    |
| YL | With attachment and L type bracket |
| YT | With attachment and T type bracket |

### Attachments for IS1000M

| Pressure switch applicable model No. | Y type standard | YL type with L type bracket | YT type with T type bracket |
|--------------------------------------|-----------------|-----------------------------|-----------------------------|
| IS1000M-2                            | Y20M            | Y20LM                       | Y20TM                       |
| IS1000M-3                            | Y30M            | Y30LM                       | Y30TM                       |
| IS1000M-4                            | Y40M            | Y40LM                       | Y40TM                       |
| IS1000M-5                            | Y50M            | Y50LM                       | Y50TM                       |
| IS1000M-6                            | Y60M            | Y60LM                       | Y60TM                       |

AC

AV

AU

AF

AR

IR

VEX

AW

AMR

AWM

AWD

ITV

VBA

VE

VY

G

AL