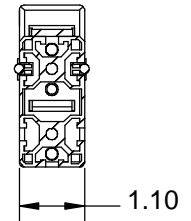


8 7 6 5 4 3 2 1

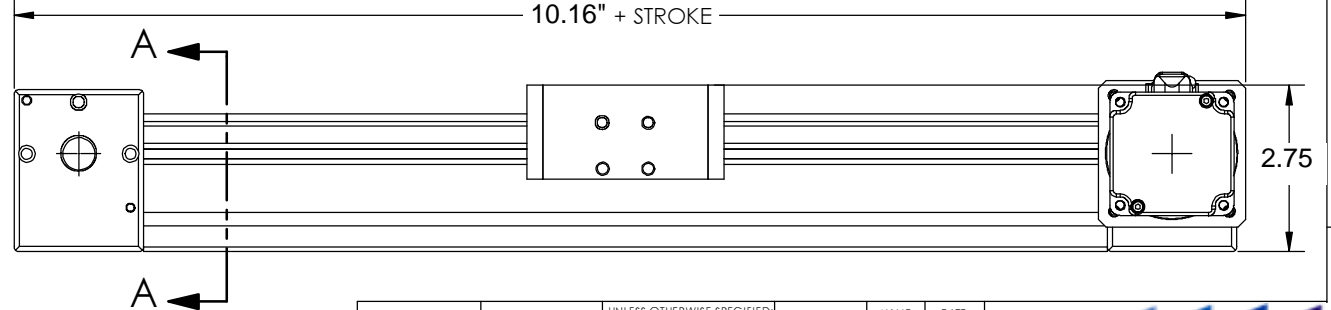
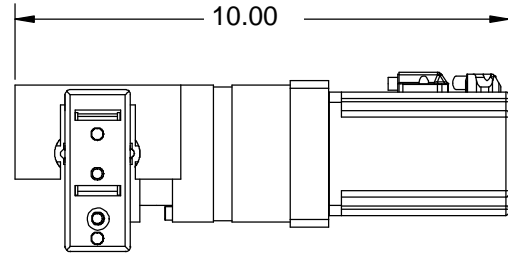
MACRON MINI 6 ACTUATOR
MSA-628-B-AB-A3-XXXX

DIRECT MOUNT
GEARBOX

200 watt Lenze servo
MAS05D30-CB0



SECTION A-A
SCALE 1 : 3



For more information
Automation4Less
Salisbury, NC
704-639-0710
www.automation4less.com

		UNLESS OTHERWISE SPECIFIED:		NAME	DATE
		DIMENSIONS ARE IN INCHES		DRAWN	
		TOLERANCES:		CHECKED	
		FRACTIONAL ±		ENG APPR.	
		ANGULAR: MACH ± BEND ±		MFG APPR.	
		TWO PLACE DECIMAL ±		Q.A.	
		THREE PLACE DECIMAL ±		COMMENTS:	
		INTERPRET GEOMETRIC TOLERANCING PER:			
		MATERIAL			
		FINISH			
NEXT ASSY	USED ON				
APPLICATION		DO NOT SCALE DRAWING			

SIZE B	MSA-628-B-AB-A3-XXXX MAS05D30-CB0	REV
SCALE: 1:4	WEIGHT:	SHEET 1 OF 1



8 7 6 5 4 3 2 1

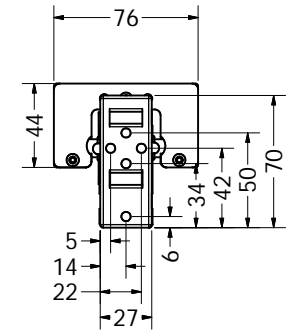
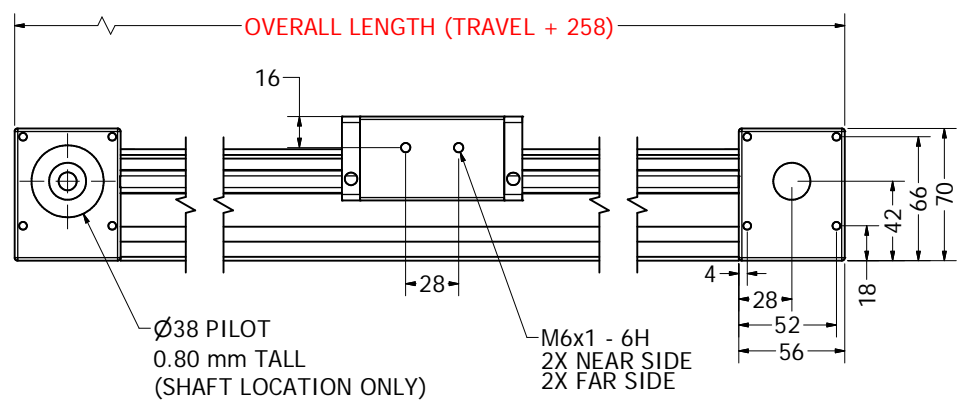
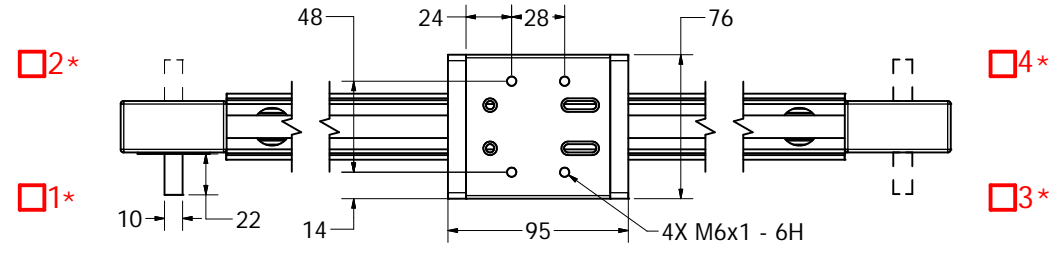
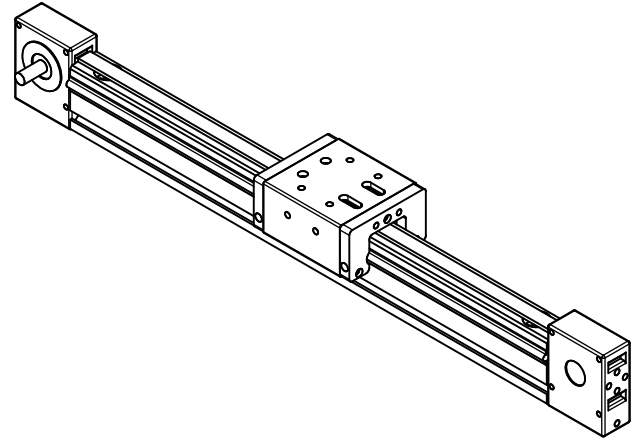
MSA - 628 - B - AB - -

STOCK TRAVEL	OVERALL LENGTH	TRAVEL
	00500	242
	00750	492
	01000	742
	01250	992
	01500	1242
	01750	1492
	02000	1742
	02250	1992
	CUSTOM TRAVEL	

ENTER
OVERALL LENGTH [mm]

SELECT
DRIVE SHAFT LOCATION *

SPECIFY TYPE
A = SINGLE SHAFTED
B = DOUBLE SHAFTED

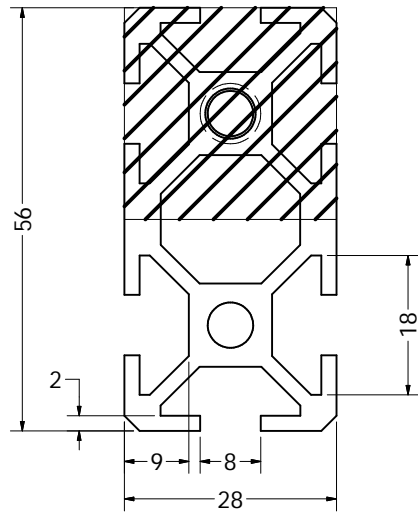


APPROVED: _____
DATE: _____

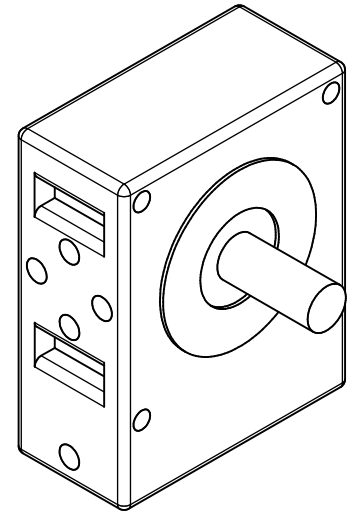
<p>3RD ANGLE PROJECTION</p> <p>THIS DRAWING IS THE PROPERTY OF MACRON DYNAMICS INC. ANY REPRODUCTIONS SHALL BE FOR QUOTATION, MANUFACTURING, OR PURCHASING PURPOSES ONLY. RELEASE OF DRAWINGS TO OTHER CONCERNS DOES NOT CONSTITUTE LICENSING IN ANY WAY. INFORMATION CONTAINED HEREIN IS PROPRIETARY AND CONFIDENTIAL.</p>		
	<p>TITLE MACRON MINI 6-28</p>	
	<p>COMPUTER GENERATED DOCUMENT. MANUAL CHANGES NOT PERMITTED</p>	
	<p>UNLESS OTHERWISE SPECIFIED ALL DIMENSIONS IN MILLIMETERS</p>	<p>DWG. NO. MSA-628</p>

DO NOT SCALE DRAWING | SHEET 1 OF 6

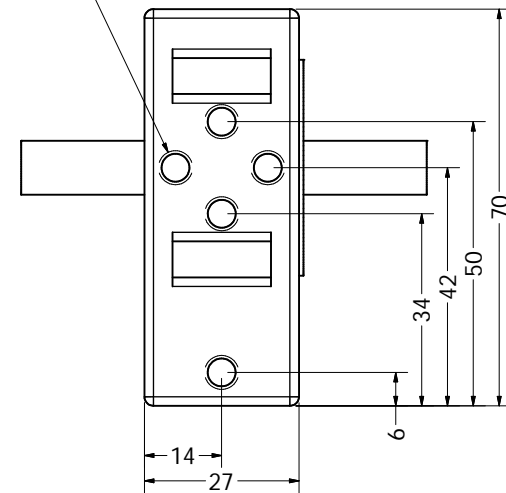
ACTUATOR BODY
MOUNTING FEATURES
T-NUT SLOTS





DOUBLE SHAFTED
PULLEY



5X M6x1 - 6H



 3RD ANGLE PROJECTION		 MACRON DYNAMICS, INC.	
<small>THIS DRAWING IS THE PROPERTY OF MACRON DYNAMICS INC. ANY REPRODUCTIONS SHALL BE FOR QUOTATION, MANUFACTURING, OR PURCHASING PURPOSES ONLY. RELEASE OF DRAWINGS TO OTHER CONCERNS DOES NOT CONSTITUTE LICENSING IN ANY WAY. INFORMATION CONTAINED HEREIN IS PROPRIETARY AND CONFIDENTIAL.</small>		TITLE MACRON MINI 6-28	
COMPUTER GENERATED DOCUMENT. MANUAL CHANGES NOT PERMITTED		DWG. NO. MSA-628	
UNLESS OTHERWISE SPECIFIED ALL DIMENSIONS IN MILLIMETERS		REV 01	
		<small>DO NOT SCALE DRAWING SHEET 2 OF 6</small>	

Macron Dynamics, Inc. - Belt Driven Actuators - Allowable loading

System	System allowable loads																			
	Loads								Moments											
	Dynamic				Static				Dynamic						Static					
	Fz max		Fy max		Foz max		Foy max		Mx max		Mz max		My max		Mox max		Moz max		Moy max	
	[N]	[Lb]	[N]	[Lb]	[N]	[Lb]	[N]	[Lb]	[N-m]	[Lb-in]	[N-m]	[Lb-in]	[N-m]	[Lb-in]	[N-m]	[Lb-in]	[N-m]	[Lb-in]	[N-m]	[Lb-in]
Macron SLM	240	54	420	94	200	45	330	74	3.5	31	8.6	76	4.9	44	2.9	26	6.8	60	4.1	36
Macron MINI-6	240	54	420	94	200	45	330	74	3.4	30	10.7	94	6.1	54	2.9	25	8.4	74	5.1	45
Macron 6									4.9	43	13.3	118	7.6	67	4.1	36	10.5	93	6.4	56
Macron 6Z									4.9	43	34.7	307	19.8	175	4.1	36	27.2	241	16.5	146
Macron 14	1180	265	2770	622	1060	238	2380	535	56.5	500	110.8	980	47.2	418	50.7	449	95.2	842	42.4	375
Macron 14H									56.5	500	166.2	1470	70.8	626	50.7	449	142.8	1263	63.6	563
Macron 14Z									56.5	500	360.1	3186	153.4	1357	50.7	449	309.4	2737	137.8	1219

Note: The loads and moments indicated are to be taken as maximum values for individual occurrences and for actuators with beams supported along the entire length. They cannot be added or combined. Please check with Macron Engineering for calculation of equivalent loads under combined loading conditions and for load limits when beams are not fully supported.

