

8 7 6 5 4 3 2 1

D

C

B

A

D

C

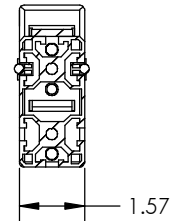
B

A

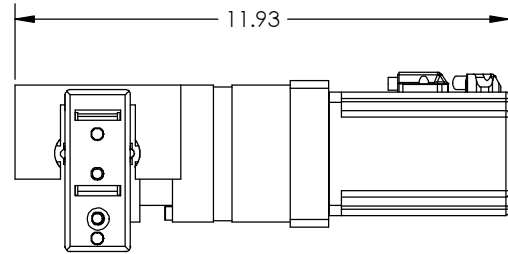
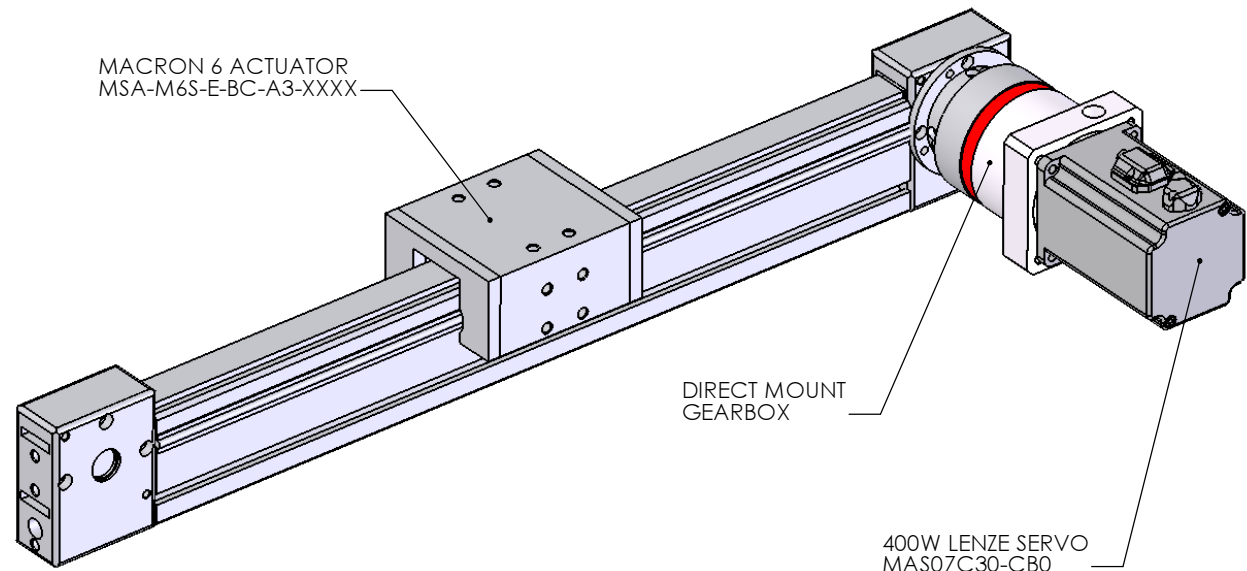
MACRON 6 ACTUATOR
MSA-M6S-E-BC-A3-XXXX

DIRECT MOUNT
GEARBOX

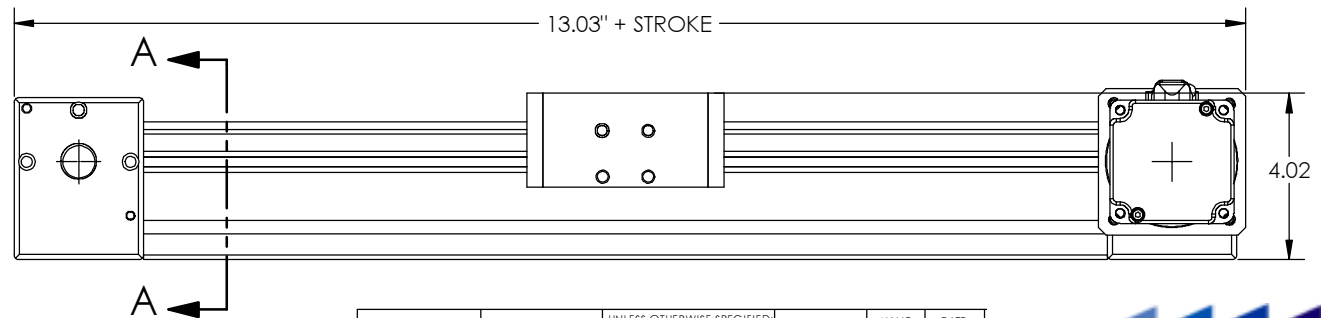
400W LENZE SERVO
MAS07C30-CB0



SECTION A-A
SCALE 1 : 3



11.93



13.03" + STROKE

4.02

For more information
[Automation4Less](http://Automation4Less.com)
Salisbury, NC
704-639-0710
www.automation4less.com

		UNLESS OTHERWISE SPECIFIED:		NAME	DATE
		DIMENSIONS ARE IN INCHES		DRAWN	
		TOLERANCES:		CHECKED	
		FRACTIONAL ±		ENG APPR.	
		ANGULAR: MACH ± BEND ±		MFG APPR.	
		TWO PLACE DECIMAL ±		Q.A.	
		THREE PLACE DECIMAL ±		COMMENTS:	
		INTERPRET GEOMETRIC TOLERANCING PER:			
		MATERIAL			
		FINISH			
NEXT ASSY	USED ON				
APPLICATION		DO NOT SCALE DRAWING			



SIZE B	DWG. NO. MSA-M6S-E-BC-A3-0750 / MAS07C30-CB0	REV
SCALE: 1:4	WEIGHT:	SHEET 1 OF 1

8 7 6 5 4 3 2 1

MSA - M6S - E - BC - -

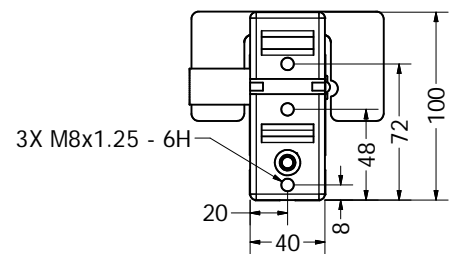
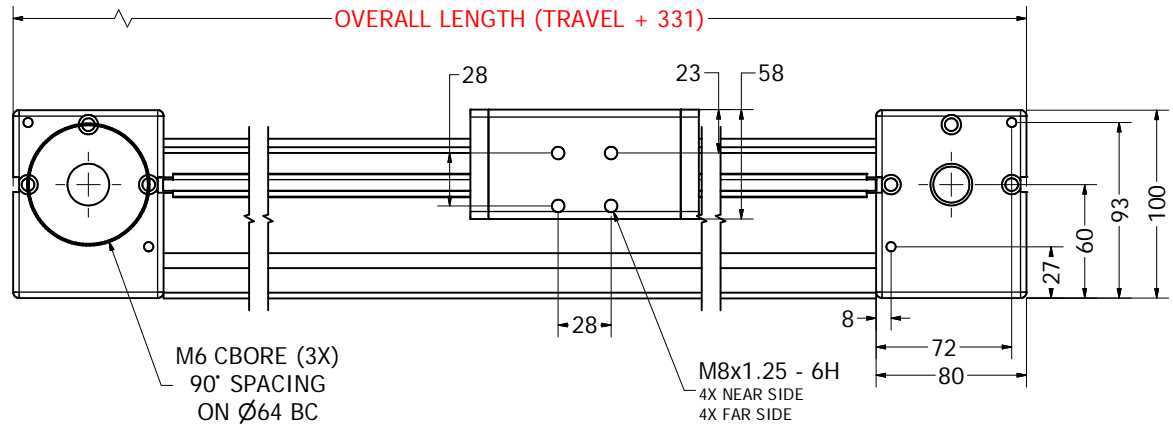
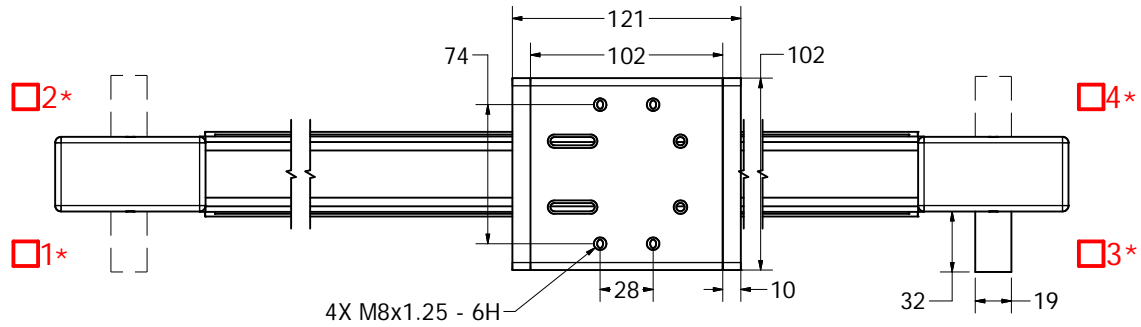
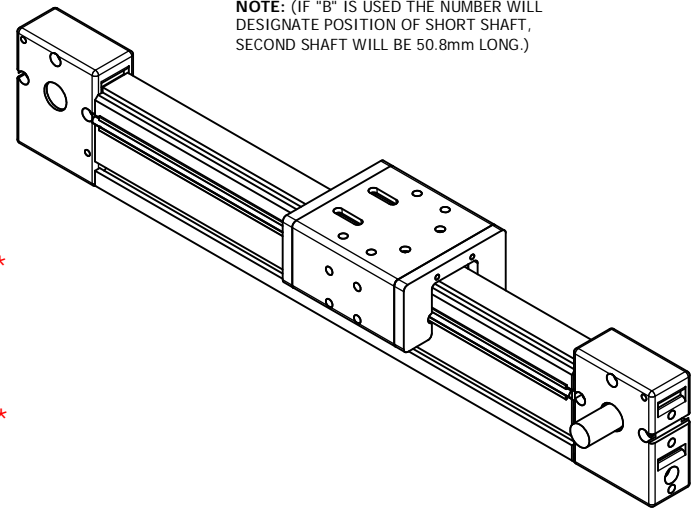
STOCK TRAVEL	OVERALL LENGTH	TRAVEL
	00750	419
	01000	669
	01250	919
	01500	1169
	01750	1419
	02000	1669
	02250	1919
	CUSTOM TRAVEL	

ENTER
OVERALL LENGTH [mm]

SELECT
DRIVE SHAFT LOCATION *

SPECIFY TYPE
A = SINGLE SHAFTED
B = DOUBLE SHAFTED

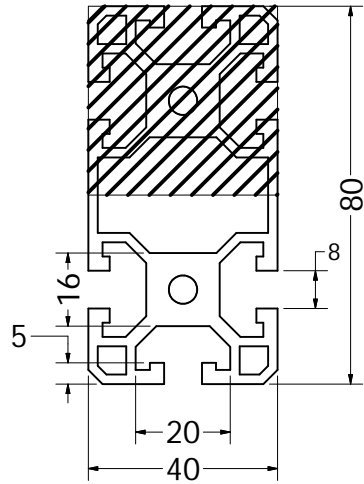
NOTE: (IF "B" IS USED THE NUMBER WILL DESIGNATE POSITION OF SHORT SHAFT, SECOND SHAFT WILL BE 50.8mm LONG.)



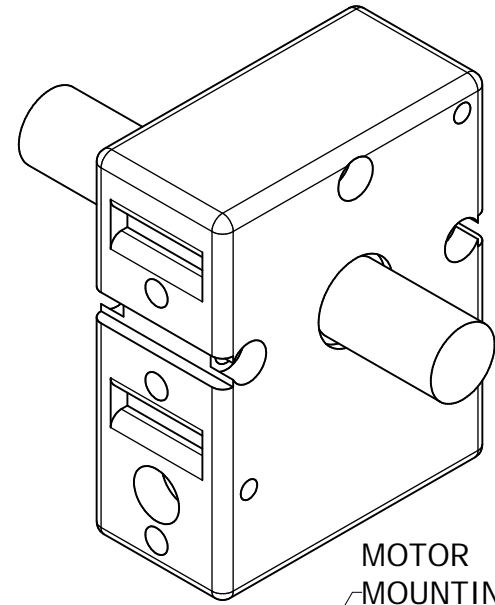
APPROVED: _____
DATE: _____

<p>3RD ANGLE PROJECTION</p>	<p>MACRON DYNAMICS, INC.</p>
<p>THIS DRAWING IS THE PROPERTY OF MACRON DYNAMICS, INC. ANY REPRODUCTIONS SHALL BE FOR QUOTATION, MANUFACTURING, OR PURCHASING PURPOSES ONLY. RELEASE OF DRAWINGS TO OTHER CONCERNS DOES NOT CONSTITUTE LICENSING IN ANY WAY. INFORMATION CONTAINED HEREIN IS PROPRIETARY AND CONFIDENTIAL.</p>	<p>TITLE MACRON 6</p>
<p>COMPUTER GENERATED DOCUMENT. MANUAL CHANGES NOT PERMITTED</p>	<p>DWG. NO. MSA-M6S</p>
<p>UNLESS OTHERWISE SPECIFIED ALL DIMENSIONS IN MILLIMETERS</p>	<p>REV 01</p> <p>DO NOT SCALE DRAWING SHEET 1 OF 6</p>

ACTUATOR BODY
MOUNTING FEATURES
T-NUT SLOTS



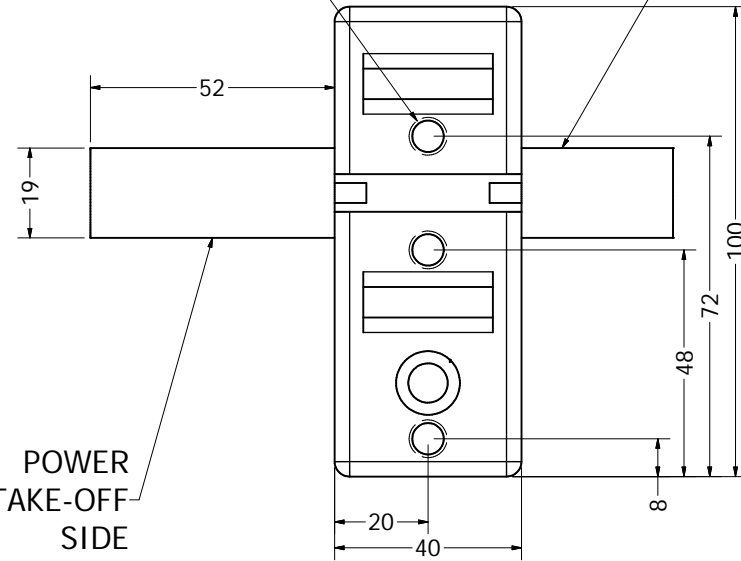
DOUBLE SHAFTED
PULLEY



3X M8x1.25 - 6H

MOTOR
MOUNTING
SIDE

POWER
TAKE-OFF
SIDE



<p>3RD ANGLE PROJECTION</p>		<p>MACRON DYNAMICS, INC.</p>
<p>THIS DRAWING IS THE PROPERTY OF MACRON DYNAMICS INC. ANY REPRODUCTIONS SHALL BE FOR QUOTATION, MANUFACTURING, OR PURCHASING PURPOSES ONLY. RELEASE OF DRAWINGS TO OTHER CONCERNS DOES NOT CONSTITUTE LICENSING IN ANY WAY. INFORMATION CONTAINED HEREIN IS PROPRIETARY AND CONFIDENTIAL.</p>		
<p>COMPUTER GENERATED DOCUMENT. MANUAL CHANGES NOT PERMITTED</p>		<p>TITLE MACRON 6</p>
<p>UNLESS OTHERWISE SPECIFIED ALL DIMENSIONS IN MILLIMETERS</p>		<p>DWG. NO. MSA-M6S</p>
		<p>REV 01</p>
		<p>DO NOT SCALE DRAWING SHEET 2 OF 6</p>

Macron Dynamics, Inc. - Belt Driven Actuators - Allowable loading

System	System allowable loads																			
	Loads								Moments											
	Dynamic				Static				Dynamic						Static					
	Fz max		Fy max		Foz max		Foy max		Mx max		Mz max		My max		Mox max		Moz max		Moy max	
	[N]	[Lb]	[N]	[Lb]	[N]	[Lb]	[N]	[Lb]	[N-m]	[Lb-in]	[N-m]	[Lb-in]	[N-m]	[Lb-in]	[N-m]	[Lb-in]	[N-m]	[Lb-in]	[N-m]	[Lb-in]
Macron SLM	240	54	420	94	200	45	330	74	3.5	31	8.6	76	4.9	44	2.9	26	6.8	60	4.1	36
Macron MINI-6	240	54	420	94	200	45	330	74	3.4	30	10.7	94	6.1	54	2.9	25	8.4	74	5.1	45
Macron 6									4.9	43	13.3	118	7.6	67	4.1	36	10.5	93	6.4	56
Macron 6Z									4.9	43	34.7	307	19.8	175	4.1	36	27.2	241	16.5	146
Macron 14	1180	265	2770	622	1060	238	2380	535	56.5	500	110.8	980	47.2	418	50.7	449	95.2	842	42.4	375
Macron 14H									56.5	500	166.2	1470	70.8	626	50.7	449	142.8	1263	63.6	563
Macron 14Z									56.5	500	360.1	3186	153.4	1357	50.7	449	309.4	2737	137.8	1219

Note: The loads and moments indicated are to be taken as maximum values for individual occurrences and for actuators with beams supported along the entire length. They cannot be added or combined. Please check with Macron Engineering for calculation of equivalent loads under combined loading conditions and for load limits when beams are not fully supported.

