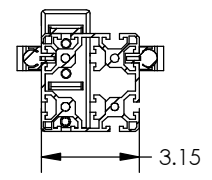
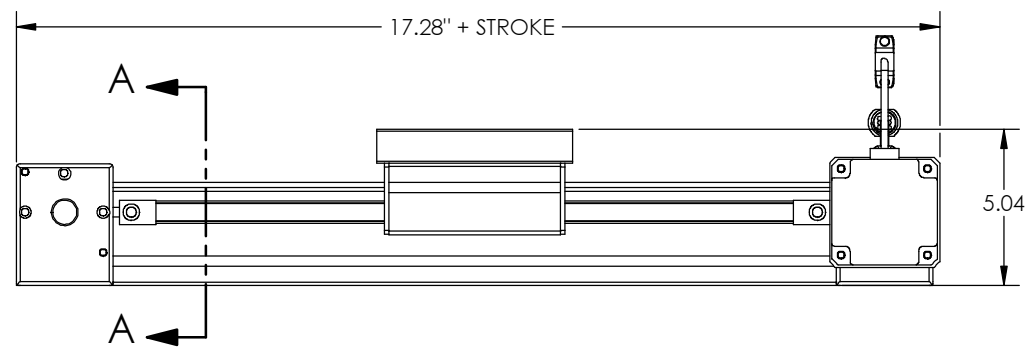
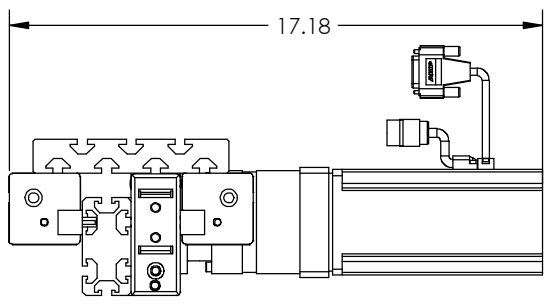
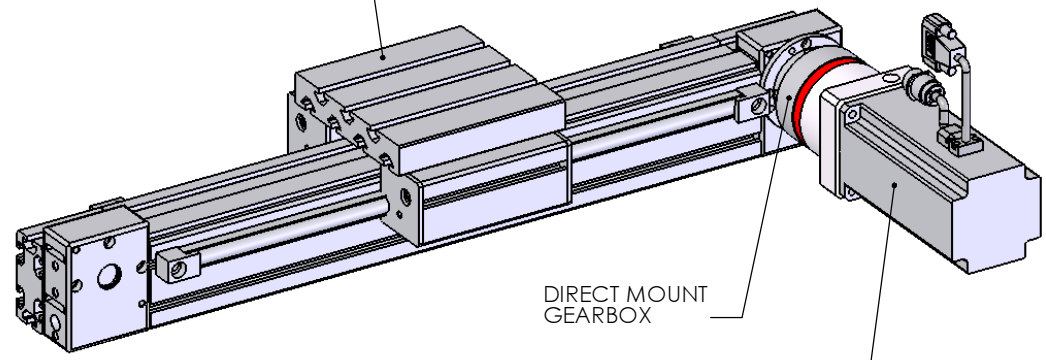


8 7 6 5 4 3 2 1

MACRON 14 ACTUATOR  
MSA-14S-E-BC-A3-XXXX

DIRECT MOUNT  
GEARBOX

1000 W LENZE SERVO MOTOR  
MAS08H30-CB0



SECTION A-A  
SCALE 1 : 4

3.15

For more information  
[Automation4Less](http://Automation4Less.com)  
Salisbury, NC  
704-639-0710  
[www.automation4less.com](http://www.automation4less.com)

		UNLESS OTHERWISE SPECIFIED:	NAME	DATE
		DIMENSIONS ARE IN INCHES	DRAWN	
		TOLERANCES:	CHECKED	
		FRACTIONAL: $\pm$	ENG APPR.	
		ANGULAR: MACH $\pm$ BEND $\pm$	MFG APPR.	
		TWO PLACE DECIMAL $\pm$	Q.A.	
		THREE PLACE DECIMAL $\pm$	COMMENTS:	
		INTERPRET GEOMETRIC TOLERANCING PER:		
		MATERIAL		
		FINISH		
NEXT ASSY	USED ON			
		APPLICATION		
		DO NOT SCALE DRAWING		



SIZE	DWG. NO.	REV
<b>B</b>	MSA-14S-E-BC-A3-0750 W/ MAS08C30-CB0	
SCALE: 1:8	WEIGHT:	SHEET 1 OF 1

8 7 6 5 4 3 2 1

D  
C  
B  
A

D  
C  
B  
A

# MSA - 14S - G - BC -

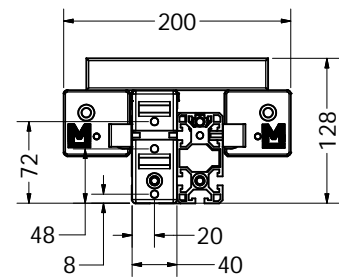
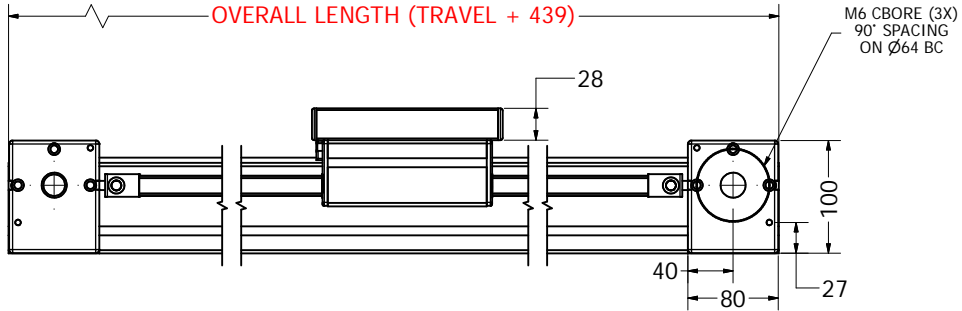
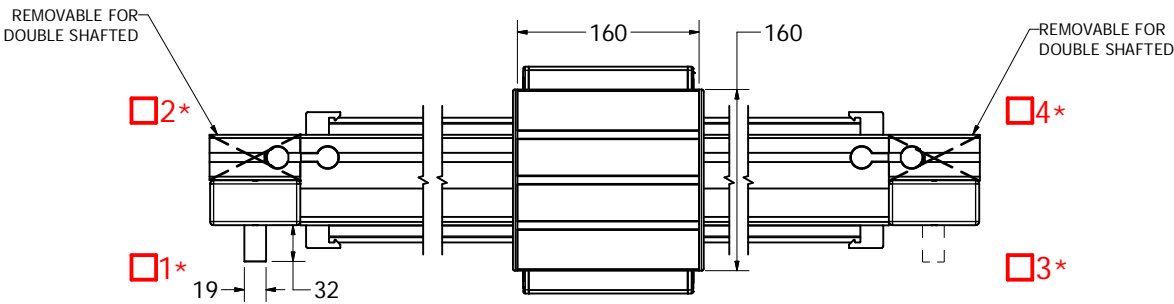
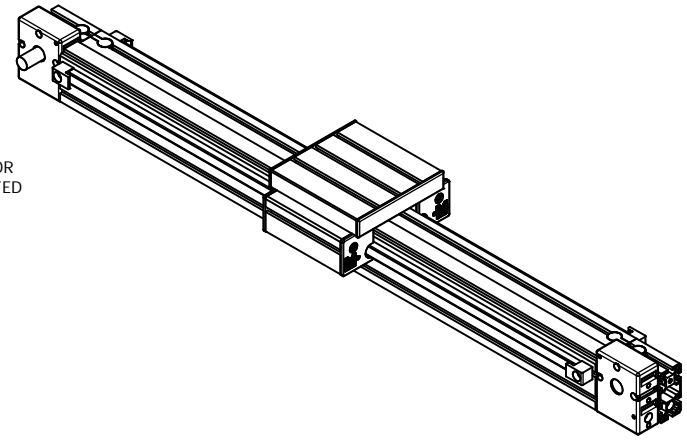
STOCK TRAVEL	OVER ALL LENGTH	TRAVEL
	00750	311
	01000	561
	01250	811
	01500	1061
	01750	1311
	02000	1561
	02250	1811
	CUSTOM TRAVEL	

**ENTER**  
OVERALL LENGTH [mm]

**SELECT**  
DRIVE SHAFT LOCATION \*

**SPECIFY TYPE**  
A = SINGLE SHAFTED  
B = DOUBLE SHAFTED

**NOTE:** (IF "B" IS USED THE NUMBER WILL DESIGNATE POSITION OF SHORT SHAFT, SECOND SHAFT WILL BE 50.8mm LONG.)



**APPROVED:** \_\_\_\_\_  
**DATE:** \_\_\_\_\_

 3RD ANGLE PROJECTION	 <b>MACRON DYNAMICS, INC.</b>
<small>THIS DRAWING IS THE PROPERTY OF MACRON DYNAMICS INC. ANY REPRODUCTIONS SHALL BE FOR QUOTATION, MANUFACTURING, OR PURCHASING PURPOSES ONLY. RELEASE OF DRAWINGS TO OTHER CONCERNS DOES NOT CONSTITUTE LICENSING IN ANY WAY. INFORMATION CONTAINED HEREIN IS PROPRIETARY AND CONFIDENTIAL.</small>	TITLE <b>MACRON 14</b>
COMPUTER GENERATED DOCUMENT. MANUAL CHANGES NOT PERMITTED	DWG. NO. <b>MSA-14S</b>
UNLESS OTHERWISE SPECIFIED ALL DIMENSIONS IN MILLIMETERS	REV <b>01</b> <small>DO NOT SCALE DRAWING   SHEET 1 OF 2</small>

4

3

2

1

D

D

C

C

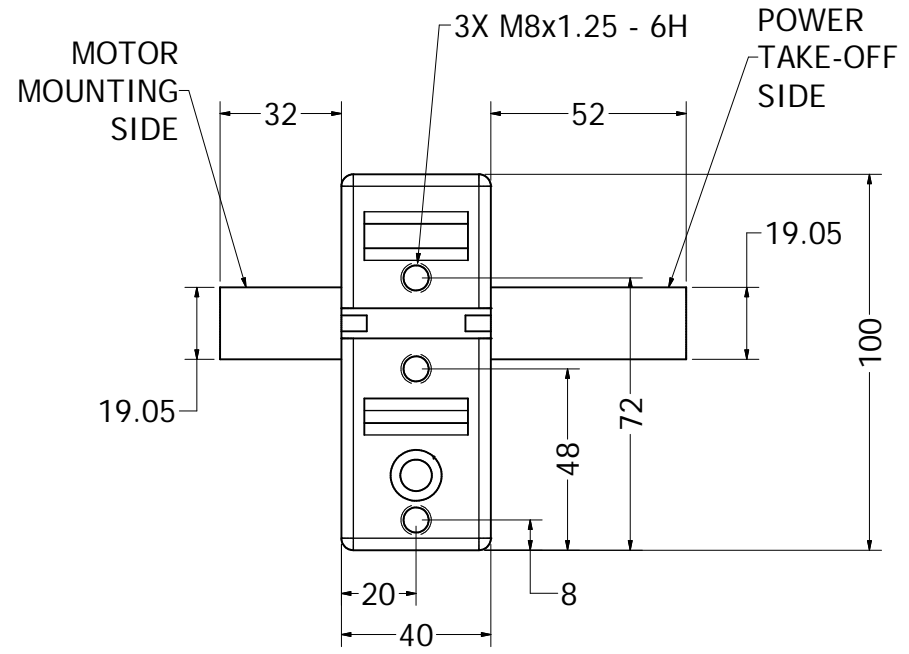
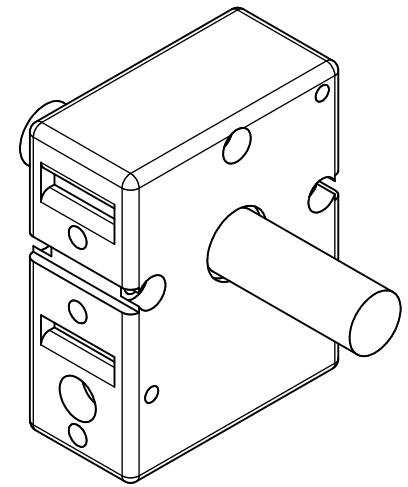
B

B

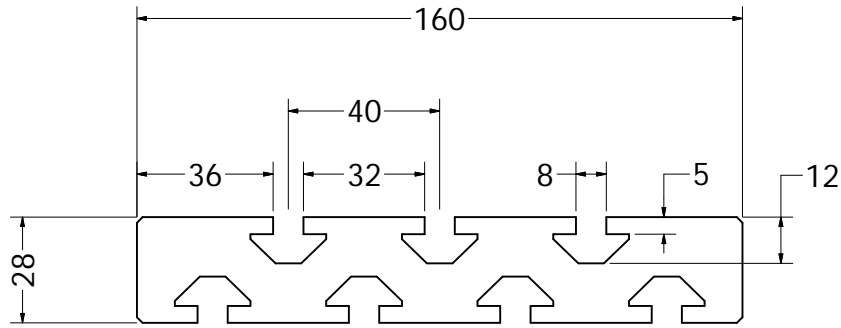
A

A

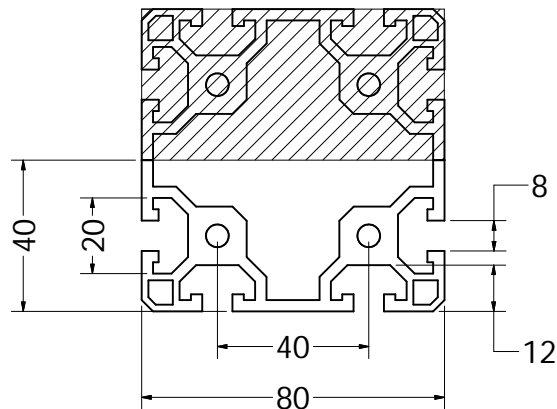
# DOUBLE SHAFTED PULLEY



## CART MOUNTING FEATURES T-NUT SLOTS



## ACTUATOR BODY MOUNTING FEATURES T-NUT SLOTS



<p>3RD ANGLE PROJECTION</p>		<p><b>MACRON DYNAMICS, INC.</b></p>	
<p>THIS DRAWING IS THE PROPERTY OF MACRON DYNAMICS, INC. ANY REPRODUCTIONS SHALL BE FOR QUOTATION, MANUFACTURING, OR PURCHASING PURPOSES ONLY. RELEASE OF DRAWINGS TO OTHER CONCERNS DOES NOT CONSTITUTE LICENSING IN ANY WAY. INFORMATION CONTAINED HEREIN IS PROPRIETARY AND CONFIDENTIAL.</p>			
<p>COMPUTER GENERATED DOCUMENT. MANUAL CHANGES NOT PERMITTED</p>		<p>TITLE <b>MACRON 14</b></p>	
<p>UNLESS OTHERWISE SPECIFIED ALL DIMENSIONS IN MILLIMETERS</p>		<p>DWG. NO. <b>MSA-14S</b></p>	<p>REV <b>01</b></p>
<p>DO NOT SCALE DRAWING   SHEET 2 OF 2</p>			

## Macron Dynamics, Inc. - Belt Driven Actuators - Allowable loading

System	System allowable loads																			
	Loads								Moments											
	Dynamic				Static				Dynamic						Static					
	Fz max		Fy max		Foz max		Foy max		Mx max		Mz max		My max		Mox max		Moz max		Moy max	
	[N]	[Lb]	[N]	[Lb]	[N]	[Lb]	[N]	[Lb]	[N-m]	[Lb-in]	[N-m]	[Lb-in]	[N-m]	[Lb-in]	[N-m]	[Lb-in]	[N-m]	[Lb-in]	[N-m]	[Lb-in]
Macron SLM	240	54	420	94	200	45	330	74	3.5	31	8.6	76	4.9	44	2.9	26	6.8	60	4.1	36
Macron MINI-6	240	54	420	94	200	45	330	74	3.4	30	10.7	94	6.1	54	2.9	25	8.4	74	5.1	45
Macron 6									4.9	43	13.3	118	7.6	67	4.1	36	10.5	93	6.4	56
Macron 6Z									4.9	43	34.7	307	19.8	175	4.1	36	27.2	241	16.5	146
Macron 14	1180	265	2770	622	1060	238	2380	535	56.5	500	110.8	980	47.2	418	50.7	449	95.2	842	42.4	375
Macron 14H									56.5	500	166.2	1470	70.8	626	50.7	449	142.8	1263	63.6	563
Macron 14Z									56.5	500	360.1	3186	153.4	1357	50.7	449	309.4	2737	137.8	1219

Note: The loads and moments indicated are to be taken as maximum values for individual occurrences and for actuators with beams supported along the entire length. They cannot be added or combined. Please check with Macron Engineering for calculation of equivalent loads under combined loading conditions and for load limits when beams are not fully supported.

