

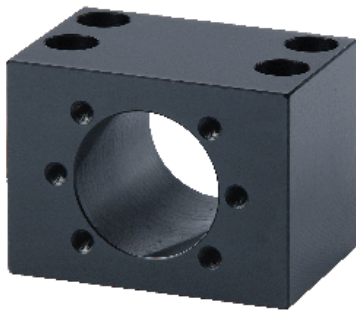
Build a precise ball screw assembly from off-the-shelf components....fast!

We've added some new products and incorporated some existing products to give customers a simplified method of building a complete ball screw assembly. The system illustrated above virtually eliminates the need for tedious machining of custom brackets, supports, etc. Just bolt the parts together.

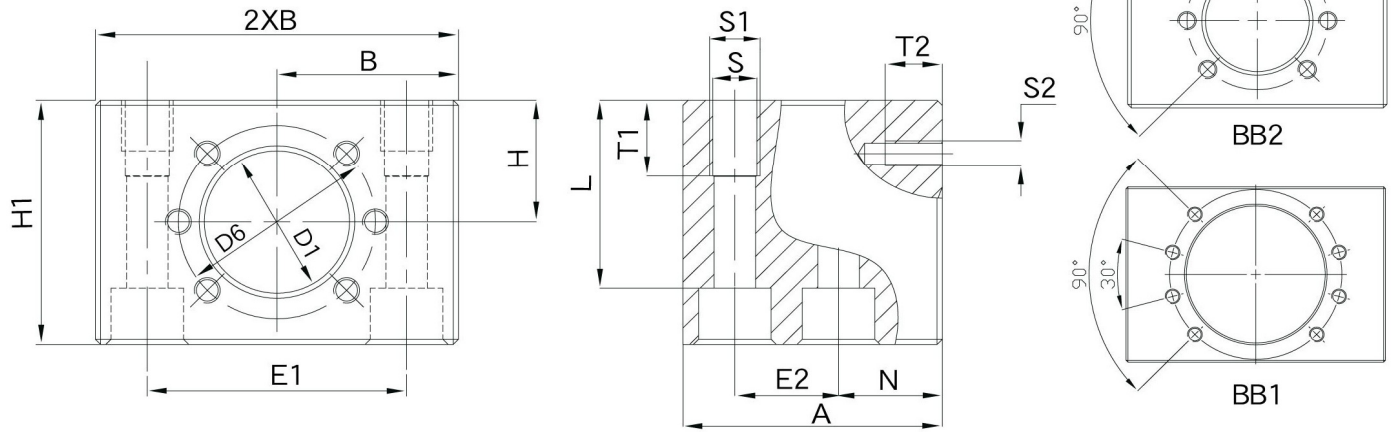
This document covers the MGD ball nut brackets and MBA motor brackets. You might also wish to access the following PDF files for technical information on other components used in these assemblies:

For ball screws and FK/BF end supports: http://www.file-vault.us/pdfs/ball_screw_documentation.pdf

For flexible motor couplings: http://www.file-vault.us/pdfs/br_couplings.pdf



MGD Style Ball Screw Nut Bracket

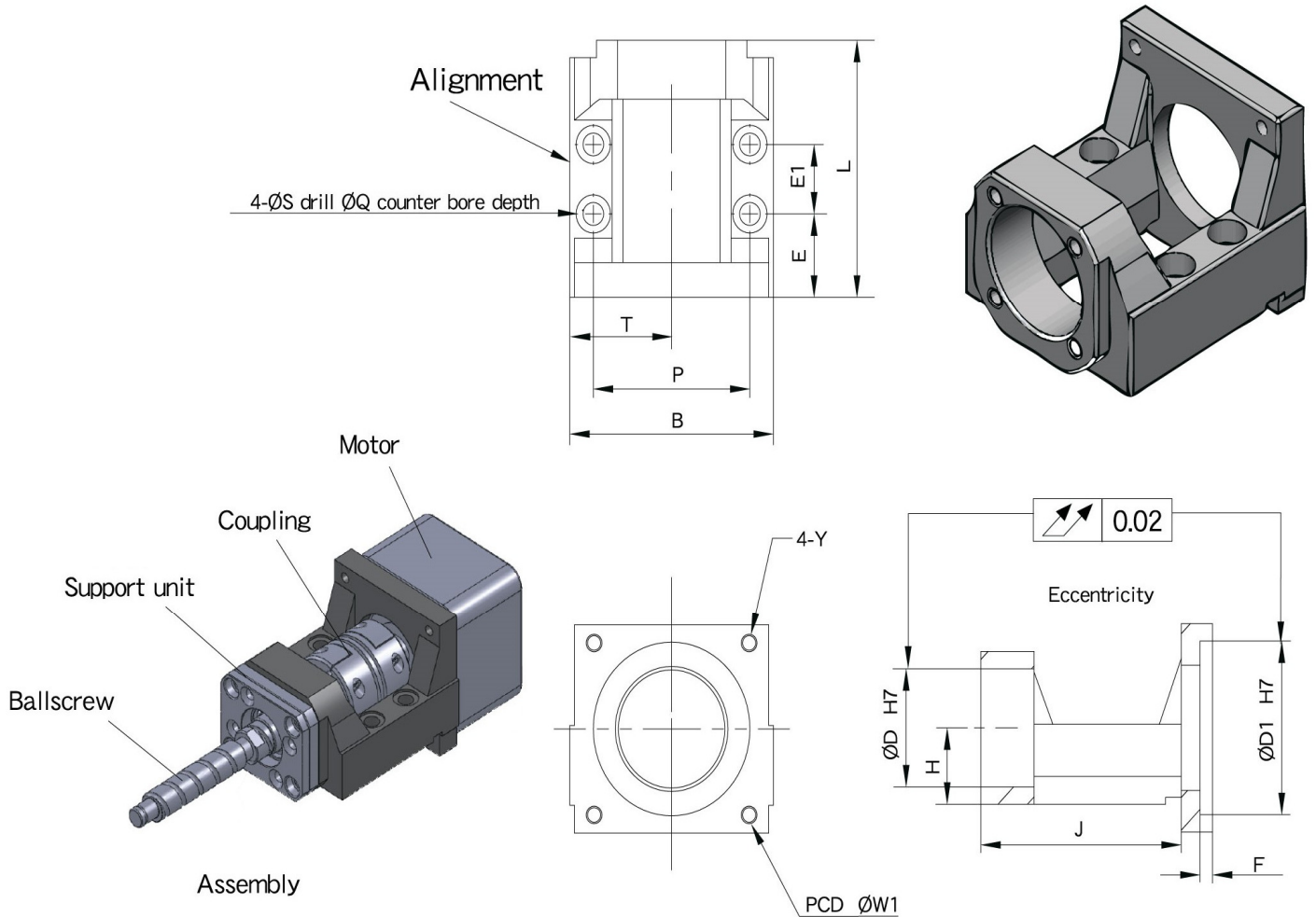


Unit : mm

Model No.	Size $d_0 \times P$		$D1 \pm 0.1$	D6	A	$B \pm 0.1$	$H \pm 0.1$	H1	E1	E2	N	S	S1	T1	S2	T2	ISO4762	L	Weight (Kgs)	
MGD 16	16x5	16x10	28.4	38	50	35	24	48	50 ± 0.1	20 ± 0.1	20	8.4	M10	15	M5	10	BB2	M8	37	0.91
MGD 20	20x5	20x20	36.4	47	55	37.5	28	56	55 ± 0.1	23 ± 0.1	22	8.4	M10	15	M6	11	BB2	M8	45	1.18
MGD 25	25x5	25x10	40.4	51	55	40	30	60	60 ± 0.1	23 ± 0.1	22	8.4	M10	15	M6	11	BB2	M8	49	1.33
MGD32S	32x5	32x10	50.4	65	70	45	35	70	70 ± 0.1	45 ± 0.1	12.5	14	M12	20	M8	14	BB2	M12	-	2.5
MGD 32	32x20	32x32				50			75 ± 0.1	30 ± 0.1	27								M16	M12
MGD 40	40x5	40x10	63.4	78	80	60	42	84	90 ± 0.1	35 ± 0.1	31	15	M18	25	M8	17	BB1	M14	66	3.61
	40x12	40x16																		
	40x20	40x40																		

MBA Style Motor Brackets

These brackets make it easy to build a ball screw assembly by combining common motors, flexible motor couplings and ball screw end supports. Save both time and money...and get a precision result FAST.



Model	D1	W1	Y	D	L	H ±0.02	B	P	T	S	Q	E	E1	F	J	Wt. (kgs)	Fixed Side	Support Side
MBA12-C	38.1	66.7	M4	36	74	25	65	50	32.5	6.6	11	24	20	5	65	0.71	FK12	BF12
MBA12-D	50	70	M5	36	74	25	65	50	32.5	6.6	11	24	20	5	65	0.71	FK12	BF12
MBA15-C	38.1	66.7	M4	40	82	28	70	55	35	6.6	11	24	28	5	73	1.4	FK15	BF15
MBA-15-D	50	70	M5	40	84	28	70	55	35	6.6	11	25	28	5	74	1.4	FK15	BF15
MBA-15-E	70	90	M6	40	94	28	88	70	44	8.5	14	30	28	6	82	1.4	FK15	BF15
MBA-15-F	73	98.4	M6	40	92	28	88	70	44	8.5	14	29	28	6	81	1.4	FK15	BF15
MBA20-D	50	70	M5	57	113	34	88	70	44	8.5	14	29	42	5	-	1.61	FKA20	BF20
MBA20-E	70	90	M6	57	113	34	88	70	44	8.5	14	29	42	6	102	1.61	FKA20	BF20
MBA20-F	73	98.4	M6	57	113	34	88	70	44	8.5	14	29	42	6	102	1.61	FKA20	BF20