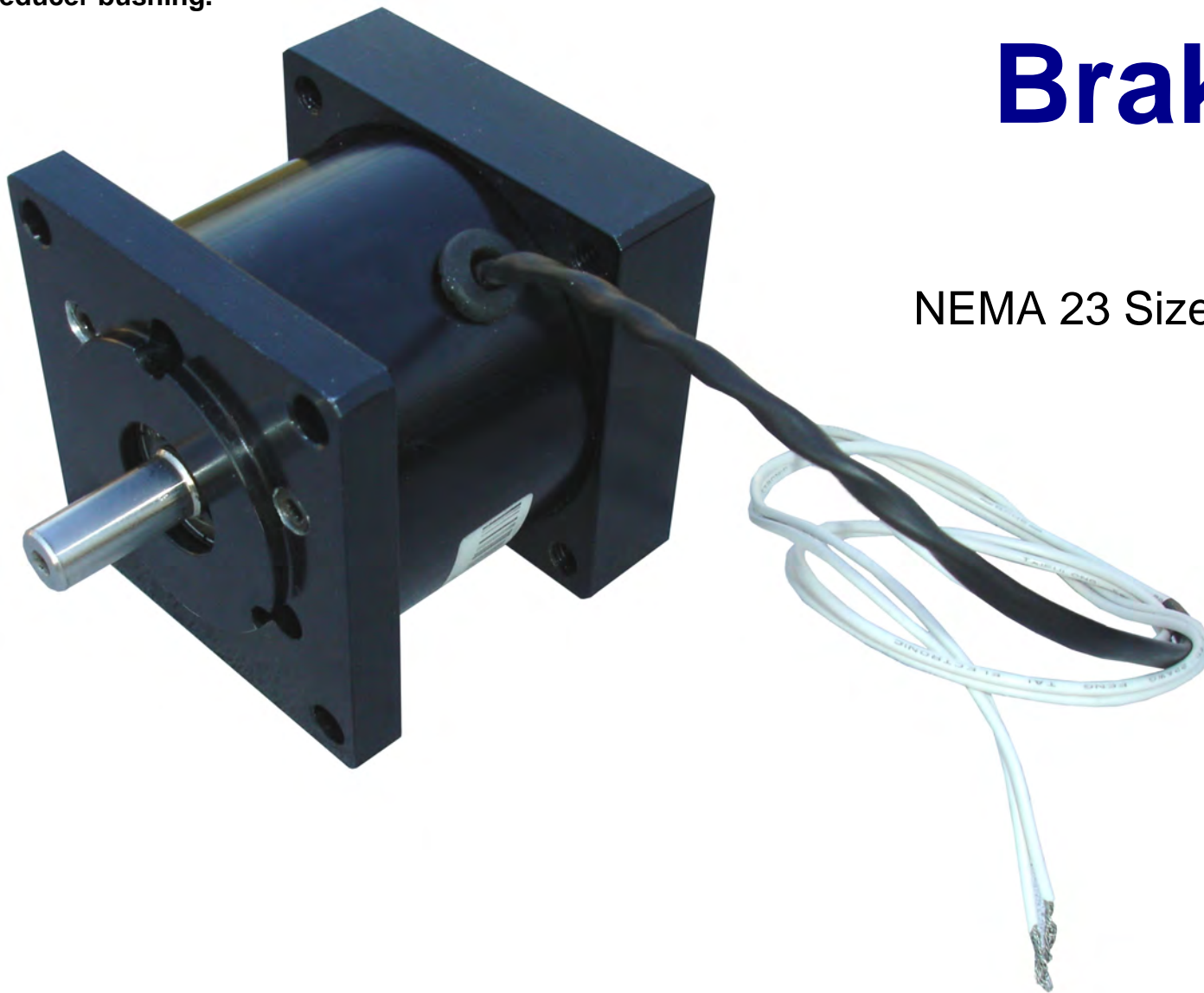


Model MPC023-24-CRI

8mm bore to receive motor shaft and 8mm out shaft.
Can be used with 1/4" motor shaft with optional
reducer bushing.

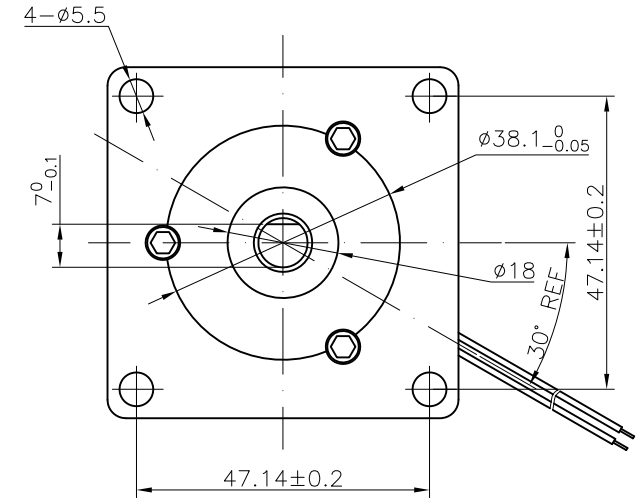
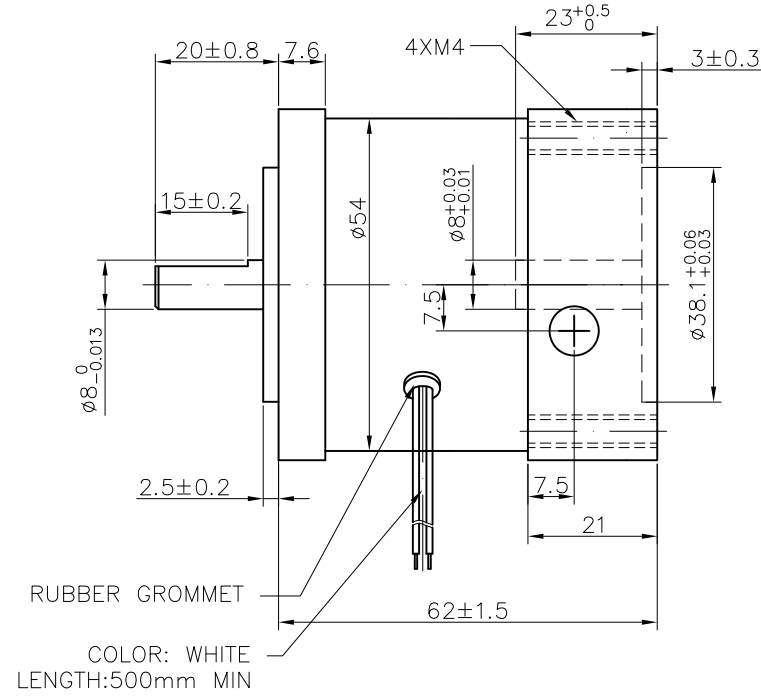
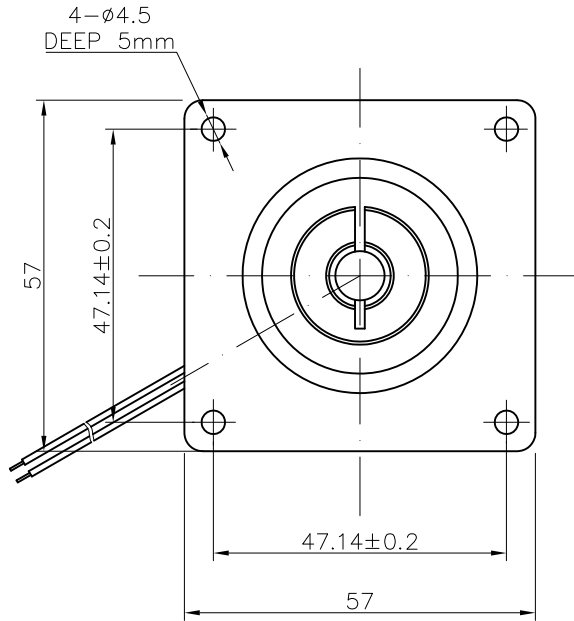
Servo/Stepper Brake

NEMA 23 Size

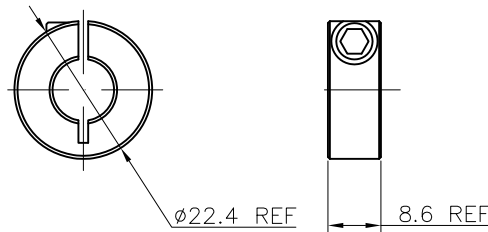
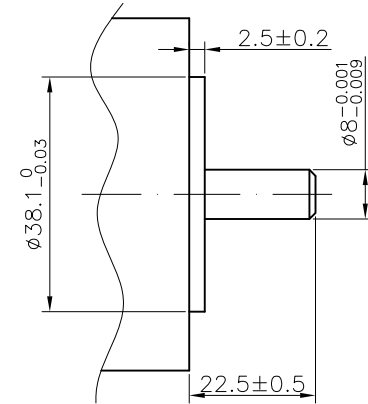


Model MPC023-24-CRI

NEMA 23 electromechanical brake with 8mm bore and 8mm shaft.



MOTOR INTERFACE:



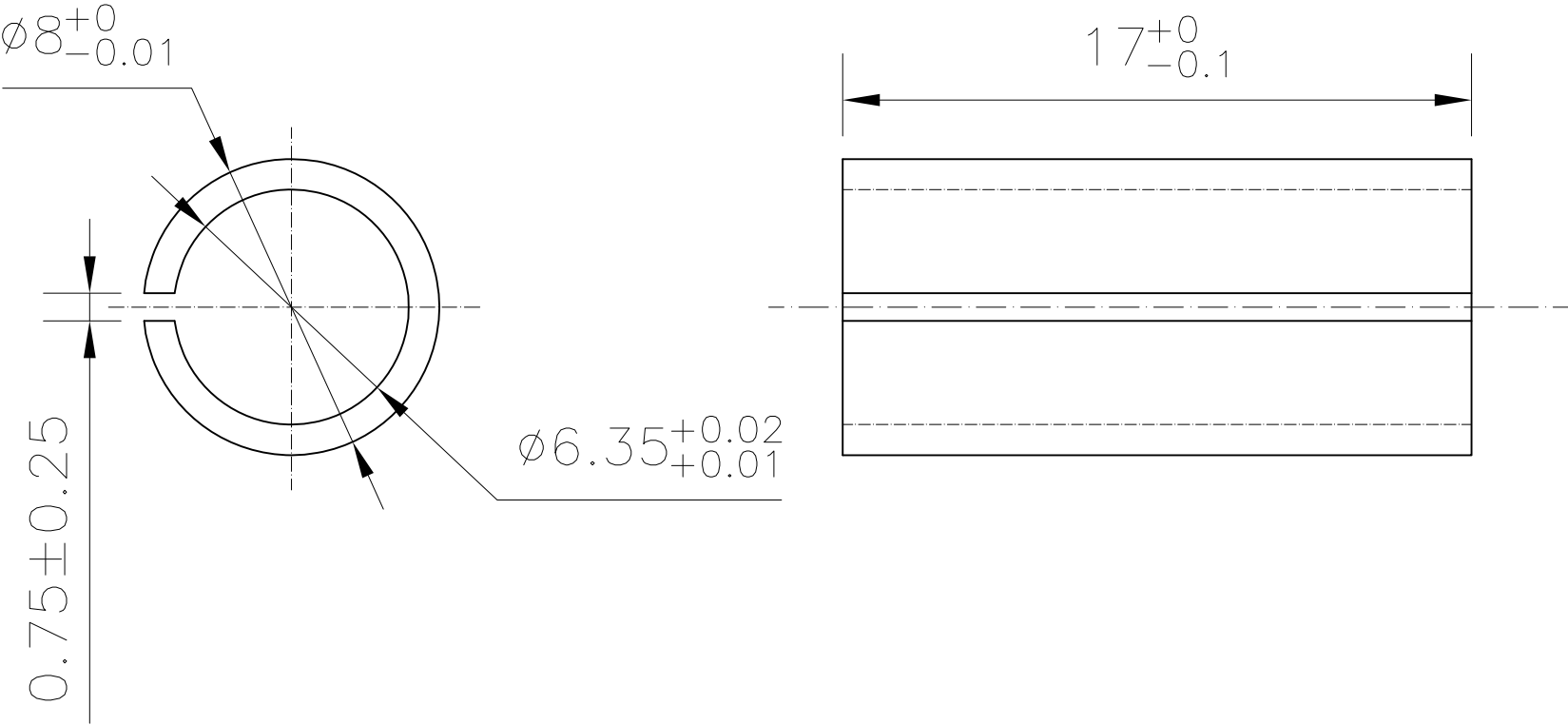
NOTE:

1. VOLTAGE 24VDC
2. STATIC TORQUE: 0.8Nm Min.
3. RATED CURRENT: 0.28A
4. POWER: 6.5W
5. RESISTANCE: 82 Ohms
6. START VOLTAGE: 15VDC MAX.
7. HI-POT: 500VAC/1S, 2mA
8. MOMENT OF INERTIA: 27.7 g.cm²
9. POWER OFF BRAKE

Handwritten signature

Reducer Bushing

Allows brake to be used with motors having 1/4" diameter shaft.



MATERIAL: STAINLESS STEEL

NOTE: THIS DRAWING HAS BEEN CREATED BY AUTOCAD. MANUAL REVISIONS ARE NOT ALLOWED.

MATERIAL		TOLERANCE UNLESS OTHERWISE SPECIFIED ISO 2768-1 MEDIUM			
DRAWN	CHECKED	APPROVED - DATE	FILENAME	DATE xx/xx/xx	SCALE N/A
		BUSHING			
		ML000210			SHEET 1/1